



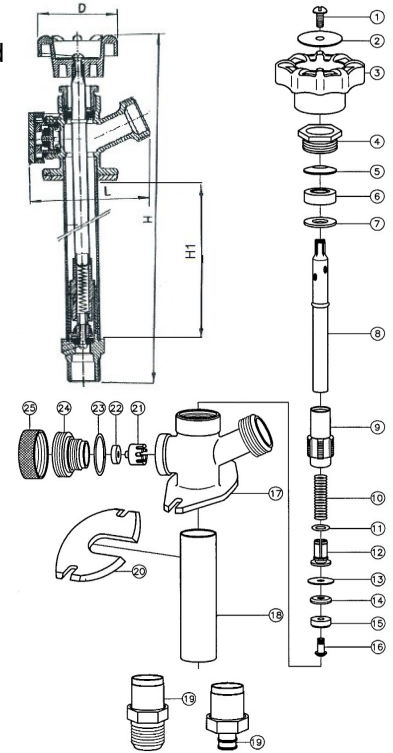
0865(P) SERIES NON-FREEZE LAWN FAUCETS WITH SELF DRAINING VACUUM BREAKER

Specification:

- Threads conform to ANSI/ASME B1.20.1
- Max Pressure Rating: 125 PSI
- Max Temp Rating: 140°F (60°C)
- Hose thread outlet 3/4" GHT
- Integral anti-siphon vacuum breaker
- Chrome plated body and tube
- NBR Packing / NBR Seat
- Black cast hand wheel

Certification:

- CSA Standard B125.1 Certified
- ASSE Standard 1019 Certified



MATERIAL LIST		
No.	Description	Material
1	Handle Bolt	Brass C26000
2	Name Plate	Aluminum A1100
3	Handwheel	Zinc Z30A
4	Bonnet	Brass C37700
5	Washer	Stainless Steel 304
6	Packing	Rubber NBR
7	Washer	Stainless Steel 304
8	Stem Pipe	Brass C27000
9	Stem	Brass C37700
10	Spring	Stainless Steel 304
11	O-Ring	Rubber NBR
12	Spring Seat	Brass C37700
13	Flapper	Rubber NBR

No.	Description	Material
14	Seat Holder	Brass C37700
15	Seat Packing	Rubber NBR
16	Seat Screw	Brass C37700
17	Body	Brass C85710
18	Tube	Brass C27000
19	Nipple	Brass C37700
20	Flange Insert	Celcon POM M90
21	Disc	Celcon POM M90
22	Packing	Rubber NBR
23	O-Ring	Rubber NBR
24	Body	Celcon POM M90
25	Cap	Brass C37700

Part No.	Inlet Connection	D		H		H1		L		Weight grams
		inches	mm	inches	mm	inches	mm	inches	mm	
0865-040	1/2" MPT x CxC	2.20	56	8.64	219.5	3.96	100.7	3.07	78	443.5
0865-060	1/2" MPT x CxC	2.20	56	10.65	270.5	5.97	151.7	3.07	78	469.7
0865-080	1/2" MPT x CxC	2.20	56	12.66	321.5	7.98	202.7	3.07	78	502.9
0865-100	1/2" MPT x CxC	2.20	56	14.67	372.5	9.99	253.7	3.07	78	534.1
0865-120	1/2" MPT x CxC	2.20	56	16.67	423.5	12.00	304.7	3.07	78	563.8
0865-140	1/2" MPT x CxC	2.20	56	18.68	474.5	14.00	355.7	3.07	78	595.3
0865-160	1/2" MPT x CxC	2.20	56	20.69	525.5	16.01	406.7	3.07	78	623.2
0865-180	1/2" MPT x CxC	2.20	56	22.70	576.5	18.02	457.7	3.07	78	645
0865-200	1/2" MPT x CxC	2.20	56	24.70	627.5	20.03	508.7	3.07	78	688.2
0865-220	1/2" MPT x CxC	2.20	56	26.71	678.5	22.04	559.7	3.07	78	714.8
0865-240	1/2" MPT x CxC	2.20	56	28.72	729.5	24.04	610.7	3.07	78	728.4
0865P-040	1/2" PEX	2.20	56	8.64	219.5	3.96	100.7	3.07	78	434.5
0865P-060	1/2" PEX	2.20	56	10.65	270.5	5.97	151.7	3.07	78	464.4
0865P-080	1/2" PEX	2.20	56	12.66	321.5	7.98	202.7	3.07	78	490.9
0865P-100	1/2" PEX	2.20	56	14.67	372.5	9.99	253.7	3.07	78	526.7
0865P-120	1/2" PEX	2.20	56	16.67	423.5	12.00	304.7	3.07	78	558.6
0865P-140	1/2" PEX	2.20	56	18.68	474.5	14.00	355.7	3.07	78	585.3



25 Whaley Ave., Milverton, Ontario, Canada N0K 1M0
 Tel: (519)-595-4444 Toll Free: (800)-561-3164
 Fax: (519)-595-4380 Web: www.boshart.com