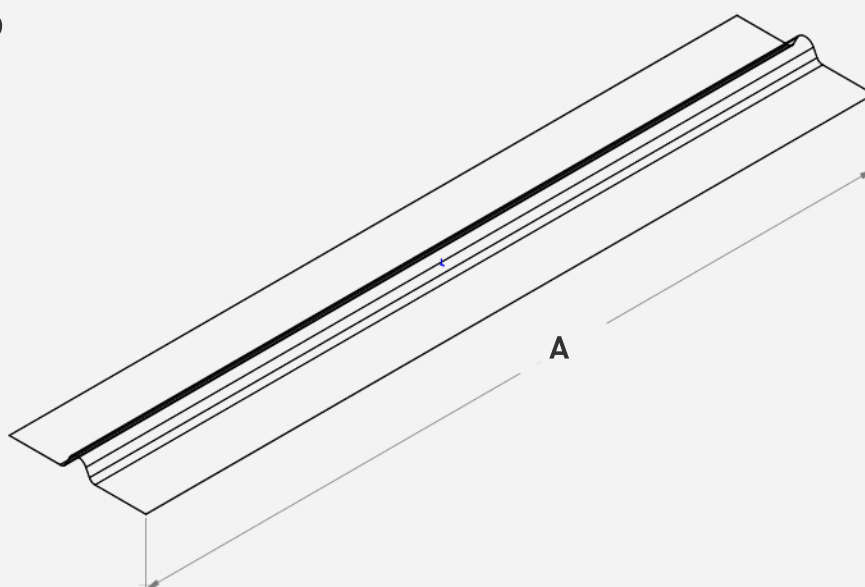
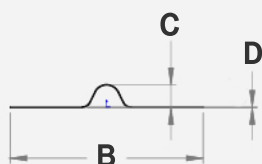


1/2" PEX Aluminum Heat Transfer Omega Plates

FEATURES

- Provides improved radiant heat transfer from PEX tubing to the underside of flooring.
- May be used for above floor installations.
- Material: Aluminum 3205 H14
- Recommended linear spacing, 1/2" to 1"
- Made in the USA



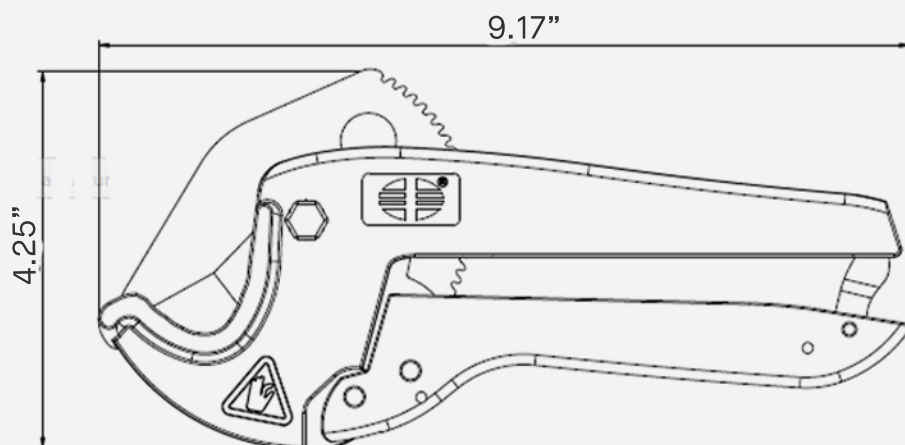
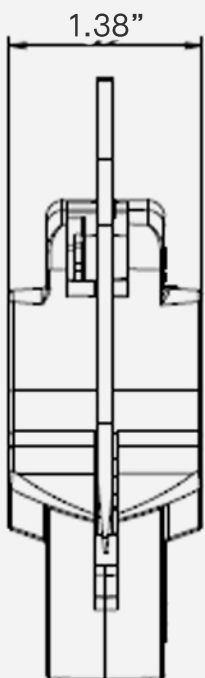
SKU	Size	A	B	C	D	Quantity
AHP050-24	2 ft. x 4" wide	24"	4.50"	0.54"	0.016"	100 Pack
AHP050-48	4 ft. x 4" wide	48"	4.50"	0.54"	0.016"	50 Pack

PEX Ratchet Style Pipe Cutter

(for Pipe up to 1")

FEATURES

- Compatible with PEX and PEX-AL-PEX Tubing
- PEX Range: 5/16" - 1"
- PEX-AL-PEX Range: 1/2" - 1"





Radiant PEX

Pipe size	Dimension			Operating pressure(PN,MPa) and maximum working temperature(T_{max} ,°C)	Minimum Bend radius	Fluid capacity per 100Ft. Cubic inches
	Outside diameter	Wall thickness	Inside diameter			
3/8"	0.500 ±0.003 inches (12.70 ±0.08) mm	0.070 +0.010 inches (1.78 +0.25)mm	0.337---0.363 inches (8.56—9.22)mm	(1)PN=0.69Mpa(100psi), $T_{max}=82^{\circ}\text{C}(180^{\circ}\text{F})$ (2)PN=1.1Mpa(160psi), $T_{max}=23^{\circ}\text{C}(73^{\circ}\text{F})$ Note:Please see the TABLE X1.1	The minimum bending radius is six times the outside diameter of the pipe	122.083
1/2"	0.625 ±0.004 inches (15.88 ±0.10) mm	0.070 +0.010 inches (1.78 +0.25)mm	0.461---0.489 inches (11.72—12.42)mm			221.582
5/8"	0.750 ±0.004 inches (19.05 ±0.10) mm	0.083 +0.010 inches (2.12 +0.25)mm	0.560---0.588 inches (14.21—14.91)mm			321.275
3/4"	0.875 ±0.004 inches (22.22 ± 0.10) mm	0.097 +0.010 inches (2.47 +0.25)mm	0.657---0.685 inches (16.68—17.38)mm			436.863
1"	1.125±0.005 inches (28.58±0.12) mm	0.125 + 0.013 inches (3.18 +0.33)mm	0.844---0.880 inches (21.44—22.34)mm			721.219
1¼"	1.375±0.005 inches (34.92 ±0.12) mm	0.153 + 0.015 inches (3.88 +0.38)mm	1.034---1.074 inches (26.28—27.28)mm			1076.480

TABLE X1.1 Hydrostatic Design Stresses and Pressure Ratings for PEX SDR 9 Hot Water Distribution Systems

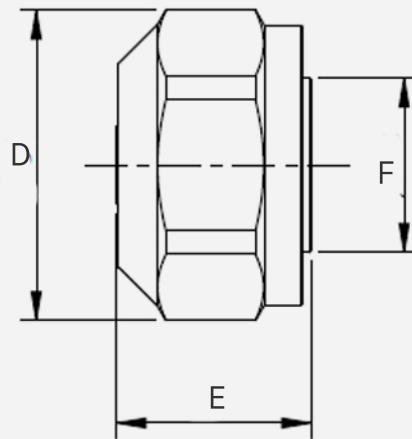
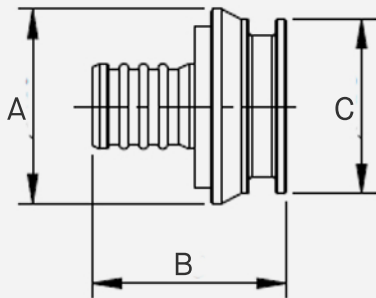
Rated Temperature		Hydrostatic Design Stress		Pressure Rating for Water	
°F	°C	psi	(MPa)	psi	(MPa)
73.4	23	630	(4.34)	160	(1.10)
180	82.2	400	(2.76)	100	(0.69)

PEX to EK20 Loop Fitting Assembly

Brass Material

FEATURES

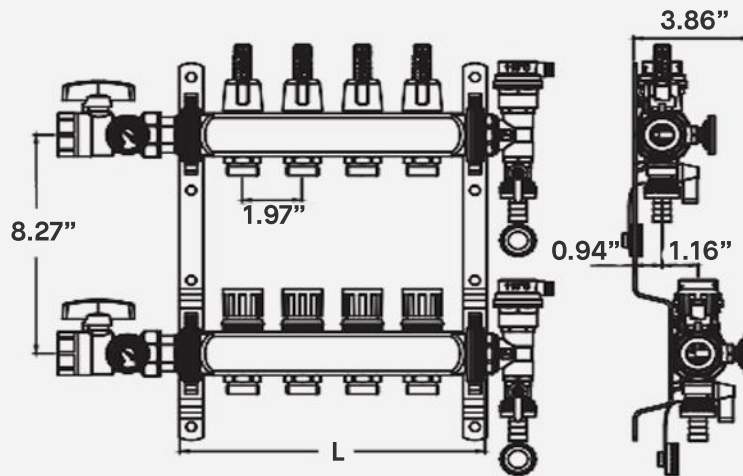
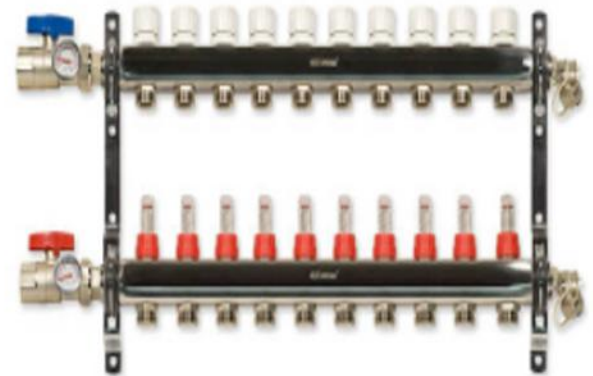
- Brass Material
- Female thread type
- PEX Compression
- Connection Size: EK20 x 3/8"
- Product Type: Loop Adapter
- PEX Size: 3/8"
- Brass Alloy: C46500
- Application: Heating
- Max Pressure (PSI): 200
- Warranty: 5 Year
- Fitting System Compatibility: PEX Compression
- Tubing Compatibility: PEX
- Max Temp (F): 200°F
- Thread Size: EK20



SKU	Size	A	B	C	D	E	F
PXLA038	3/8"	.78"	.78"	0.70"	1.26"	.78"	.70"
PXLA050	1/2"	.82"	.78"	0.70"	1.26"	.78"	.70"
PXLA058	5/8"	.88"	.90"	0.70"	1.26"	.90"	.70"

Stainless Steel Radiant Heat Manifold

Materials	Manifold Body	Stainless Steel
	Port Connection	Brass
	Seal	EPDM
Working Performance	Permissible Maximum Continuous Working Temperature: 180°F at 100 PSI	
Working Media	Media 1	Water
	Media 2	Water/Ethylene Glycol 50/50%
	Media 3	Water/Propylene Glycol 50/50%
Flow	Indication Scale	0.13-1.32 G/min
	Indication Tolerance	+/- 10%
	Kvs	1.10
Connection	Supply/Return	1" FPT
	Circuit Connection	3/4" MPT
	Flowmeter Connection	1/2" MPT



SKU	Connections	Loops	L
HM2	1" x 3/4"	2	6.10"
HM3	1" x 3/4"	3	8.07"
HM4	1" x 3/4"	4	10.04"
HM5	1" x 3/4"	5	12.01"
HM6	1" x 3/4"	6	13.98"
HM7	1" x 3/4"	7	15.94"
HM8	1" x 3/4"	8	17.91"
HM10	1" x 3/4"	10	21.85"
HM12	1" x 3/4"	12	25.79"