

Zone Valve Manual:

Summary:

The Bluefin Zone Valve is designed to control the on/off of the central air and heating system unit that is driven by a synchronous motor and an automatic spring return. The valve will remain in a closed position, until the thermostat calls for the valve to open.

Features:

Stainless Steel seat & Aluminum Alloy crust Actuator

Brass Valve Body

Synchronous Hysteresis Motor

Normally Closed, 2-Way Valve

Stainless Steel Spring Reset

Synthetic Rubber Valve core

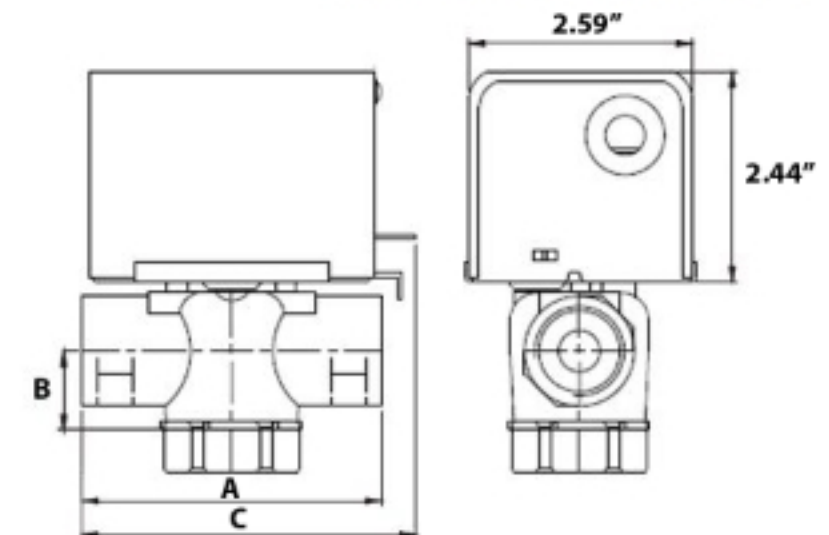
Two-Line control On/Off

No tools required for mounting valve

Specifications:

Type	ZV (Sweat & NPT)
Size	1/2", 3/4", 1"
Voltage	24 v
Pressure	290 PSI
Temperature Range	0-194°F
Medium	Water
Ingress Protection	IP 20

Measurements:

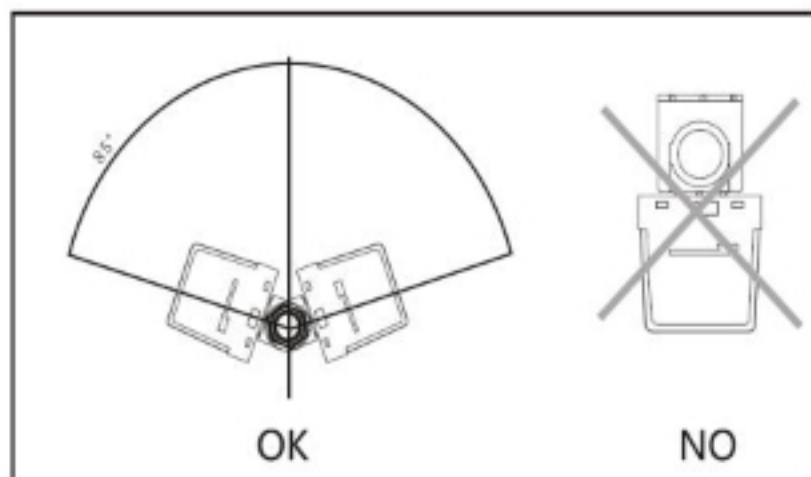


SKU	Measurement			CV	Max Pressure Loss
	A	B	C		
ZVS050-35	2.59"	0.90"	3.26"	3.5	26.10 PSI
ZVS075-35	2.75"	0.90"	3.38"	3.5	23.20 PSI
ZVS075-8	2.75"	0.90"	3.38"	8	23.20 PSI
ZVS100-35	3.42"	0.90"	3.66"	3.5	20.30 PSI
ZVT075-35	2.75"	0.90"	3.38"	3.5	23.20 PSI

Zone Valve Manual:

Installation:

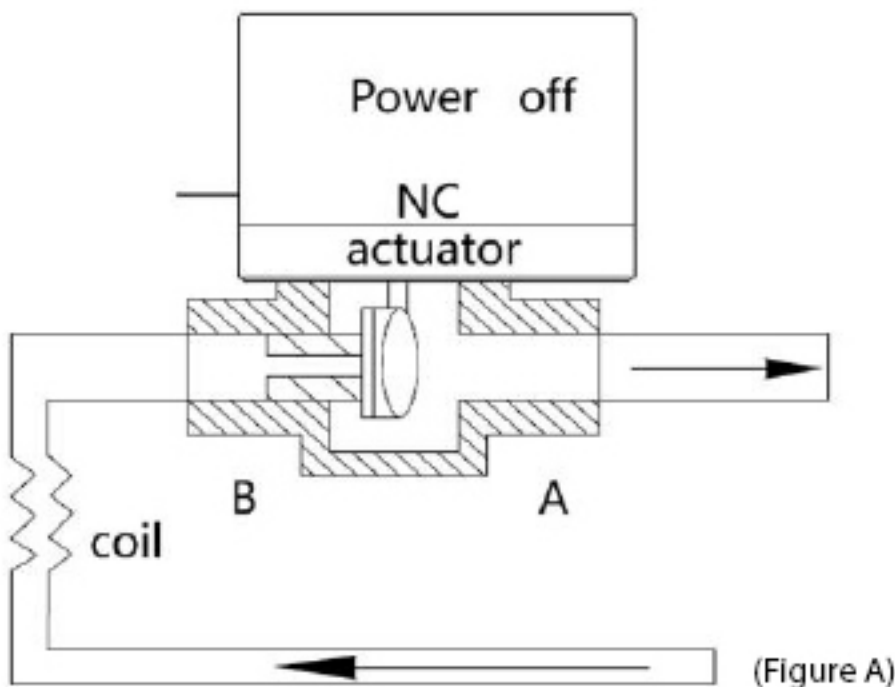
1. All Bluefin zone valves must be installed by a licensed technician.
2. Verify that power is disconnected from the unit prior to installation.
3. Verify water flow is in the corresponding direction with the installation direction.
4. Verify there are no apparent leaks on the motor's crust when the valve is mounted vertically on the pipe.
5. This unit should be installed and maintained in accordance with all applicable codes and ordinances.



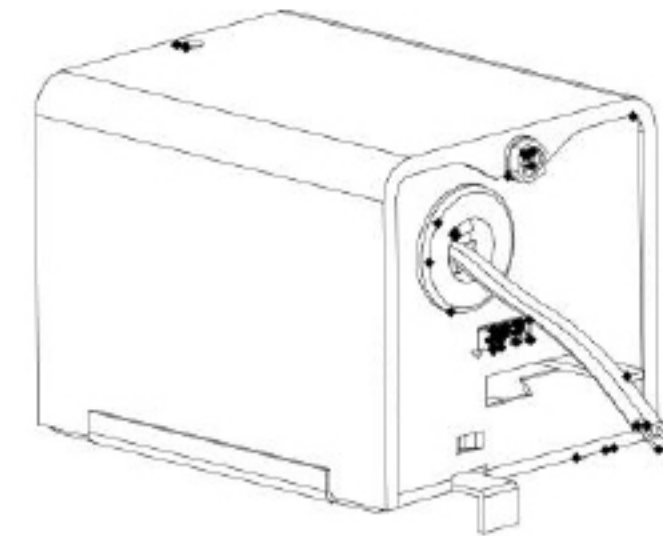
The placement of the valve should not exceed an 85° vertical plane.
This valve should not be installed upside down.

Zone Valve Manual:

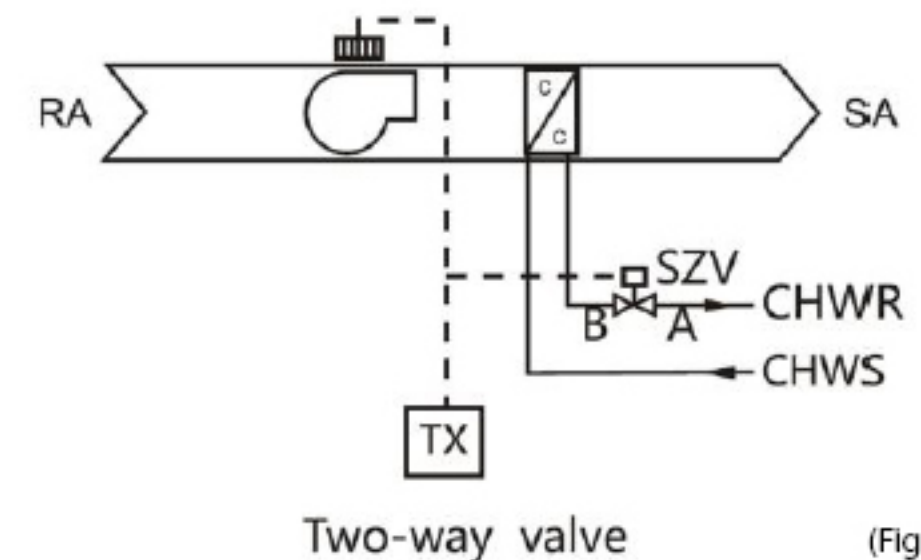
Wiring Connection:



1. The direction of flow should run from point B to point A (Figure A)
2. Before installation, move the operational lever to the locked open position. When energized, the operational lever should slide into the auto position.
3. This valve is used for Closed Loop heating and cooling systems. Do not use in an Open Loop system.
4. Oxygen and Chlorine will corrode the valve body & cause potential damage.
5. Water Valve should be installed upon defrosting tray.



Wiring Diagram:



CHWR = Chilled Water Return
 CHWS = Chilled Water Supply
 SZV = Zone Valve
 RA = Return Air
 SA = Supply Air