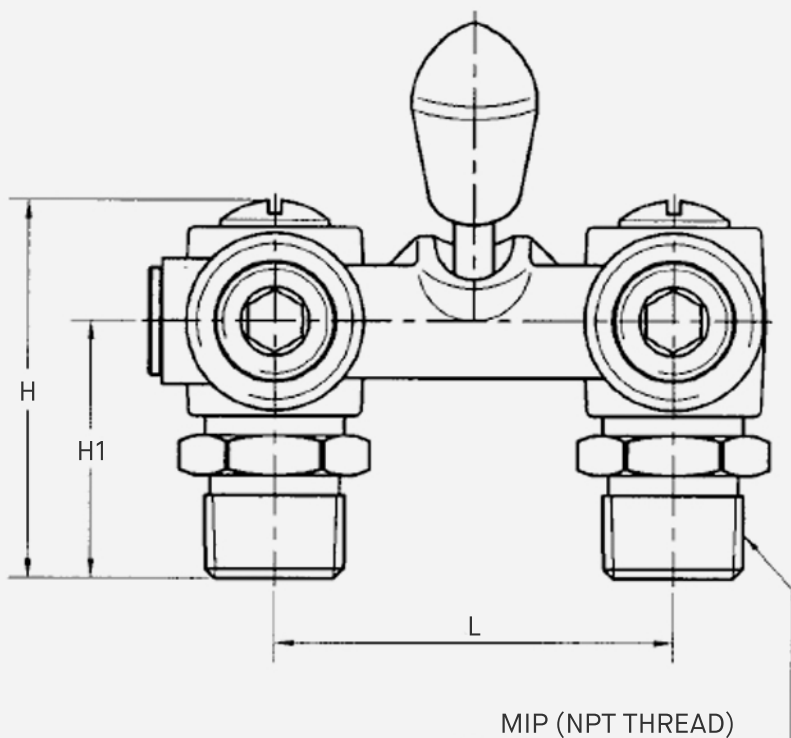


# Washing Machine Valve Bronze w/ Lever

MIP Inlet

## FEATURES

- **Bronze Body-Ball Valve Style** – For long-lasting durability and resistance to corrosion.
- **Single Lever Operation** – Allows for easy and quick control of water flow.
- **Dual 1/2" MIP Inlet** – Offers multiple connection options, simplifying installation and making it compatible with standard plumbing systems.
- **Dual 3/4" Male Hose Outlet** – Allows two hoses to be connected simultaneously, increasing flexibility and utility.



SKU	H	H1	L
WMVT	2.24"	1.51"	2.36"