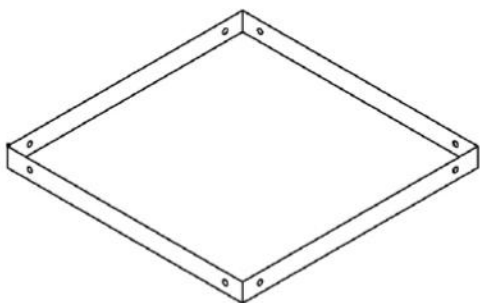


Installation Instructions

Water Heater Stand

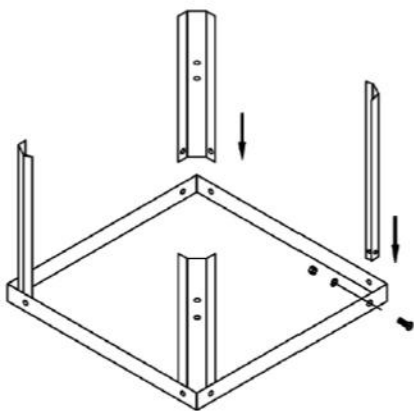
STEP 1:

Turn platform upside down.



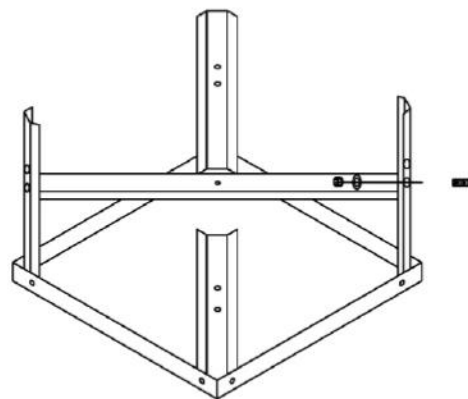
STEP 2:

Attach legs to platform with nuts & bolts.



STEP 3:

Insert first brace with the opening facing down and attach to legs.



STEP 4:

Insert second brace with opening facing up and attach to legs. Secure first & second brace with nut & bolt.

