

3/4" x1/2" Straight Steam Convectector Air Vent

Air Valve (non-vacuum)

FEATURES

- **Single non-adjustable port**- Perfect for specific, fixed applications
- **Telescopic siphon tube**- for effective air and fluid management within the system
- **Angle Cut**- assures drainage
- **1/4" NPT straight shank**- for added durability and a secure, long-lasting connection
- **Pressure and Temperature Tolerances**-

Ideal for small steam systems

Maximum operating pressure 6 psig (0.4 bar)

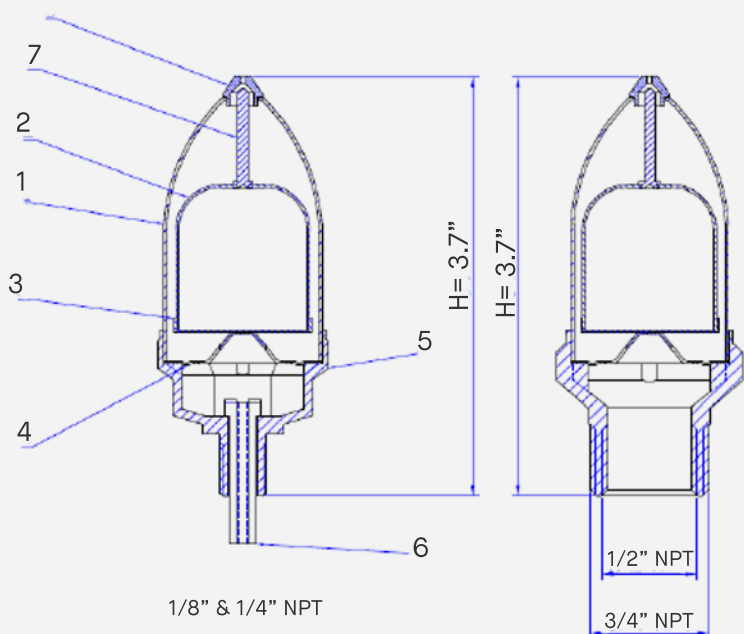
(Drop away pressure - maximum pressure against which the vent can open).

Maximum pressure 10 psig (0.7 bar)

Min Temp 140°F, Max Temp 240°F



SKU: VT45



Size	L	H
1/8"	1.47"	3.7"
1/4"	1.47"	3.7"
1/2" X 3/4"	1.59"	3.7"

No.	Part Name	Material ASTM
1	Vent Body	Brass C26800
2	Float	Brass C26800
3	Float Actuator Base	Brass C51180
4	Base	Brass C26800
5	Vent Base	Brass C37700
6	Flow Guide	Brass C26800
7	Stem	Brass C36000
8	Stem Seat	Brass C36000