

1/8" Angle Steam Radiator Air Vent

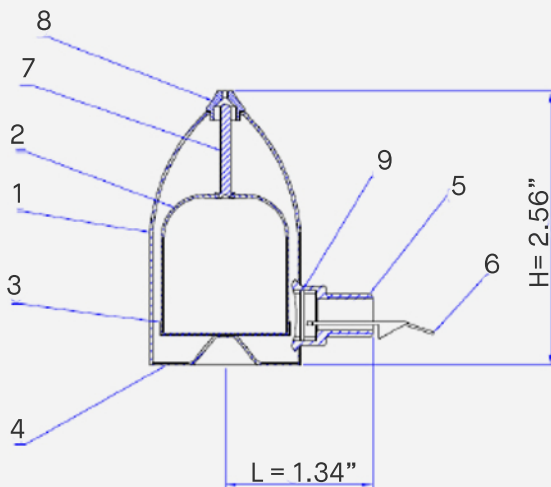
Air Valve (non-vacuum)

FEATURES

- **Float-type vent**- automatically releases air
- **Single non-adjustable port**- For ordinary one-pipe systems that doesn't require proportional venting
- **1/8" NPT angle connection**- assures drainage and secure, long-lasting connections



SKU: VT40



No.	Part Name	Material ASTM
1	Vent Body	Brass C26800
2	Float	Brass C26800
3	Float Actuator Base	Brass C51180
4	Base	Brass C26800
5	Inlet Adaptor	Brass C36000
6	Flow Guide	Brass C26800
7	Stem	Brass C36000
8	Stem Seat	Brass C36000
9	Spring	S.S. Steel 304