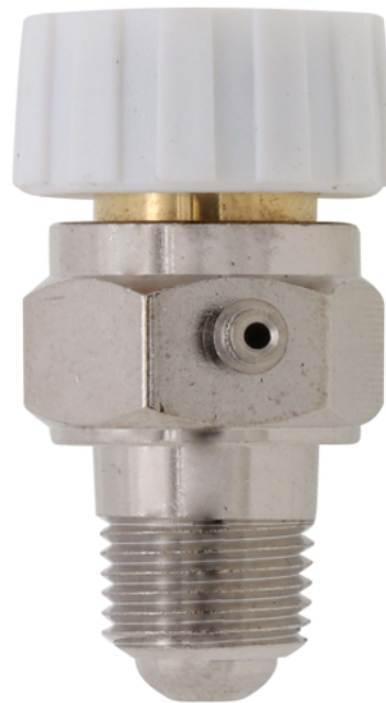


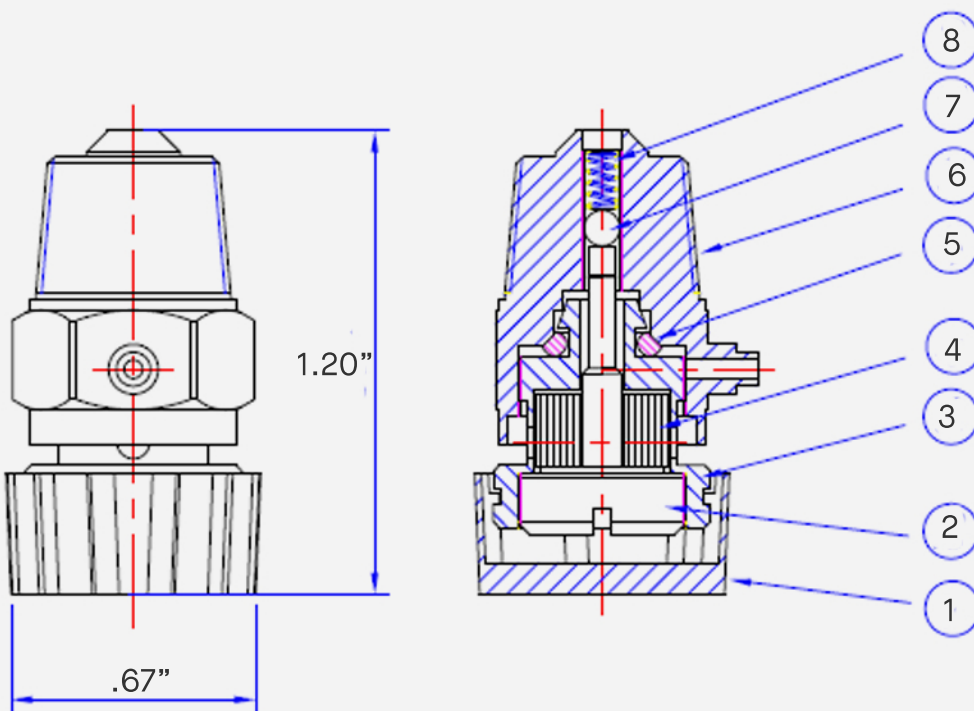
1/8" Auto Air Vent w/ Manual Override

FEATURES

- Size: 1/8"
- System Type: Hydronic (Water) Steam
- Min Temp (F): 140°F
- Temperature Range (F): 140°F - 240°F
- Max Temp (F): 240°F
- Max Pressure: 10 psi (steam) 125 psi
- Test Pressure (PSI): 130 psi
- Min Pressure (PSI): 1.45
- Material: Chromed Brass
- Body Pattern: Straight
- Mount: Straight
- Adjustability: Non-Adjustable
- Thread Type: Male
- Thread Size: 1/8"



SKU: VT4



No.	Part Name	Material
1	Handwheel	Heat Resistant ABS Plastic
2	Disc Bearing Cover	Brass
3	Disc holder	Brass
4	Disc	Special Cellulose Fiber
5	O-Ring	Neoprene
6	Body	Brass
7	Ball check	Stainless Steel
8	Spring	Stainless Steel