

1/8" Adjustable Angle Steam Radiator Air Vent

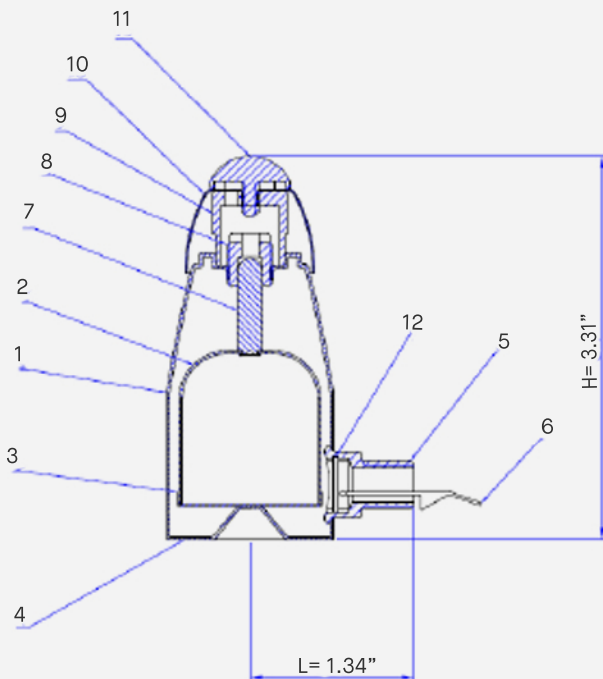
1/8" NPT angle connection

FEATURES

- **Float-type vent**- automatically releases air
- **Adjustable port**- for true proportional venting
- **6 port settings**- from slow (1) to fast (6) for precise control
- **1/8" NPT angle connection**- assures drainage and secure, long-lasting connections
- **Pressure and Temperature Tolerances**-
Ideal for small steam systems
Maximum operating pressure 1.5 psig (0.1 bar)
(Drop away pressure - maximum pressure against which the vent can open).
Maximum pressure 10 psig (0.7 bar)



SKU: VT1A



No.	Part Name	Material ASTM
1	Vent Body	Brass C26800
2	Float	Brass C26800
3	Float Actuator Base	Brass C51180
4	Base	Brass C26800
5	Inlet Adaptor	Brass C36000
6	Flow Guide	Brass C26800
7	Stem	Brass C36000
8	Stem Seat	Brass C36000
9	Vent Orifice	Brass C36000
10	Adj. Collar	Brass C26800
11	Lock Screw	Brass C36000
12	Spring	S.S Steel 304