

2.5" Tridicator, Back Mount Temperature and Pressure Gauge (0-75 PSI, 70°F - 320°F)

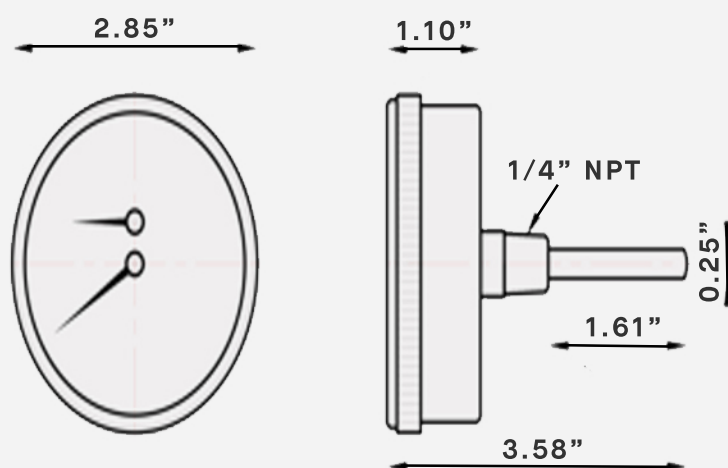
SKU: TD25-75-BK

APPLICATIONS

- Hot water and steam pressure for boilers

FEATURES

- **Compact and Informative** – Measures both pressure and temperature on the same dial
- **Dual Scale** – Measures both pressure and temperature in multiple units (feet H2O & PSI) (°F & °C)
- **Highly Legible** – The large 2.5" dial and color-coded indicators make the gauge easy to check quickly
- **Easy to Install** – features a back mount connection and standard 1/4" NPT connection
- **Brass Wetted Parts** – Help ensure long-term durability



Pressure Scale	0-75psi / 0-500kPa
Temperature Scale	70-320 °F / 20-160 °C
Dial	2.5", black & red markings
Case	Black painted steel
Lens	Thread-in plastic
Connection	1/4" NPT, back
Movement	Brass
Socket	Brass
Stem	Brass
Pointer	Aluminum, painted black
Temp Sensing Element	Bi-metallic element
Pressure Element	Bourdon tube
Temp accuracy	±3-2-3%
Pressure accuracy	±3-2-3%
Enclosure Rating	IP50