

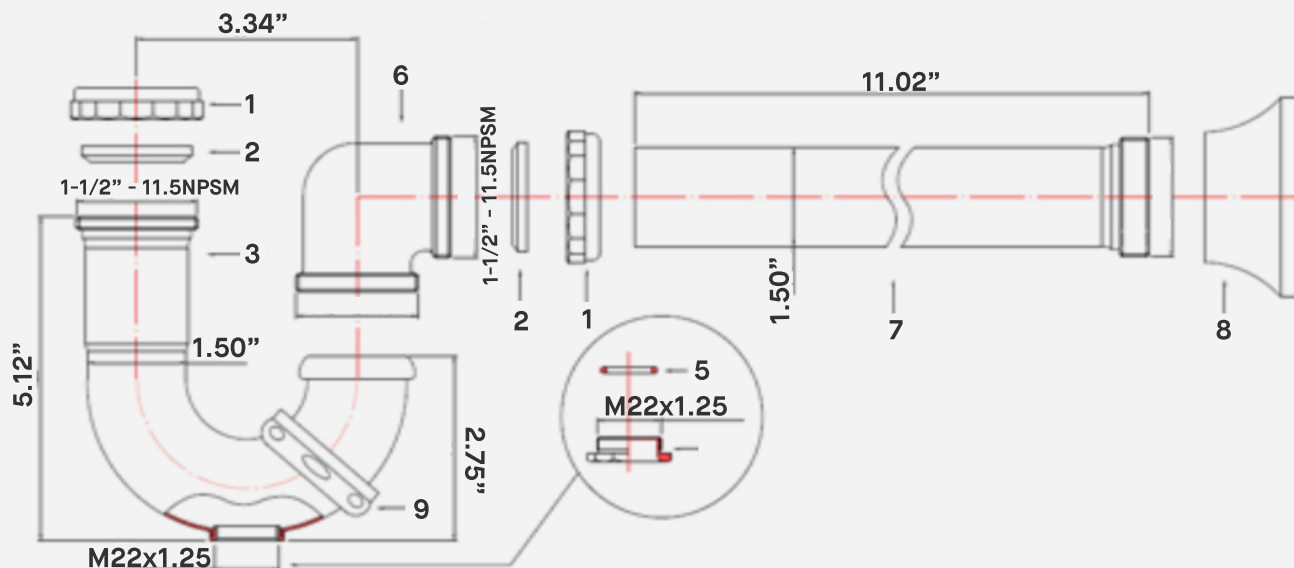
1-1/2" Milwaukee Type Utility "P" Trap, 20 Gauge with Cleanout

SKU: TB720-150

FEATURES

- **Chrome-Plated Brass Construction** – gives the product excellent strength and corrosion resistance
- **Easy to Install** – this 20GA piece connects directly without the need for additional equipment for a straightforward joining process
- **Fully Compliant** - Complies with ASME

A112.18.2/CSA B125.2 standards for use in tubular drain applications in both the United States and Canada



| Item | Description | Material |
|------|----------------------|-----------------|
| 1 | 1-1/2" Nut | Zinc Alloy |
| 2 | 1-1/2" Washer | Rubber |
| 3 | J Bend | Brass |
| 4 | Plug | Brass |
| 5 | O-ring | Rubber |
| 6 | 1-1/2" Elbow | Brass |
| 7 | 1-1/2" Straight Pipe | Brass |
| 8 | Decorative Cover | Stainless Steel |
| 9 | 1-1/2" Nut | Brass |