



SKU: TB2U22-150-12B

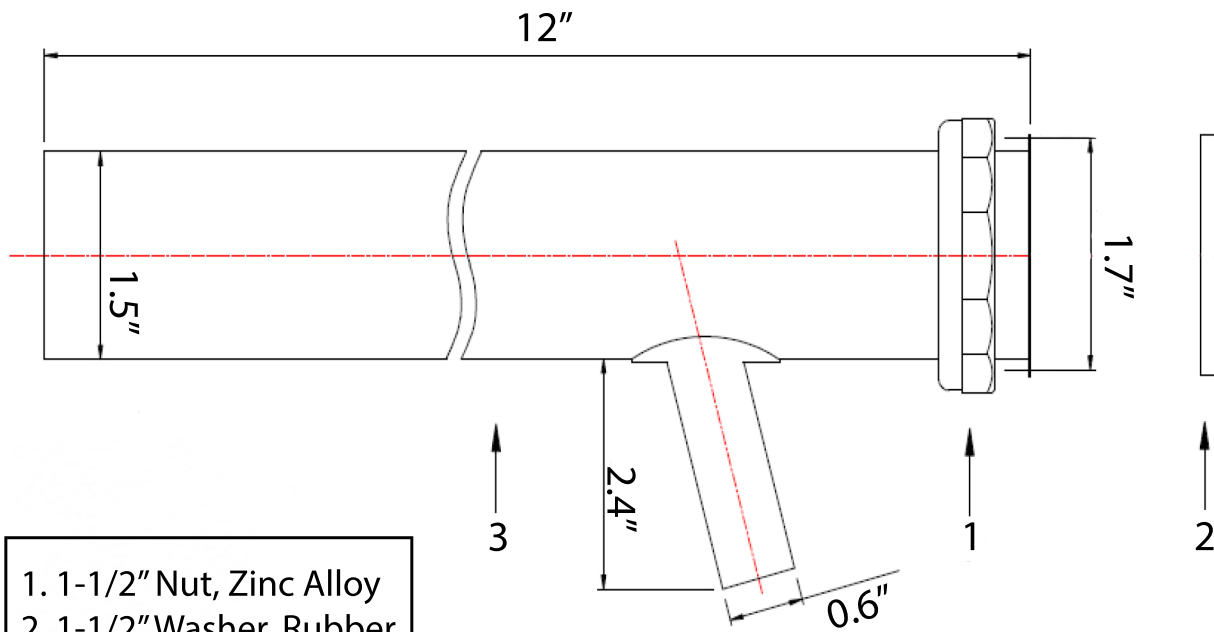
1-1/2" x 12" Brass Dishwasher Tailpiece with 1/2" Branch

Designed for connecting dishwasher discharge hose to kitchen sink drain.

Rough brass surface, made from high quality brass.

Nut and washer included.

22 Gauge



- 1. 1-1/2" Nut, Zinc Alloy
- 2. 1-1/2" Washer, Rubber
- 3. Main Body, Brass