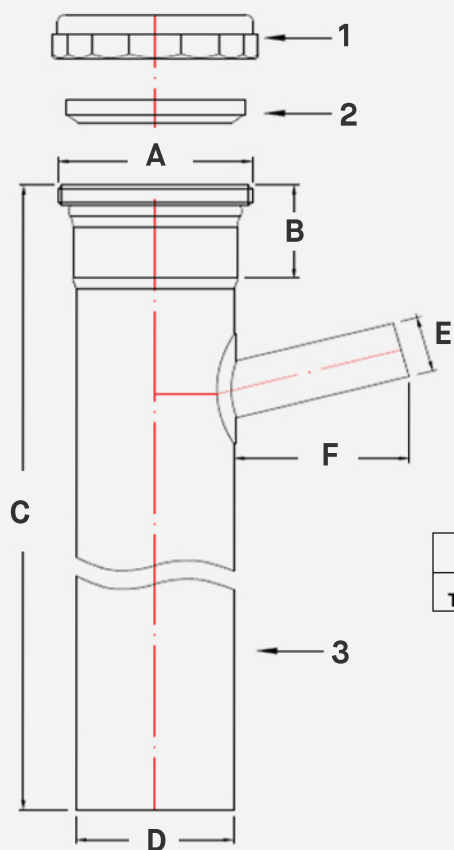


1-1/2" x 12", 20 Gauge, Brass Dishwasher Tailpiece with 1/2" Branch (Rough Brass)



FEATURES

- **H63 Brass Construction** – makes the product both highly durable and easy to work with.
- **20-Gauge Thickness** – designed for use in tubular drain applications.



Item	Description	Material
1	1-1/2" Flat Washer	Rubber
2	1-1/2" Nut	Zinc Alloy
3	Tailpiece Body and 1/2" Welded Branch	Brass

SKU	A	B	C	D	E	F
TB2U20-150-12B	1-1/2"- 11.5 NPSM	0.98"	12.00"	1.50"	0.62"	2.36"