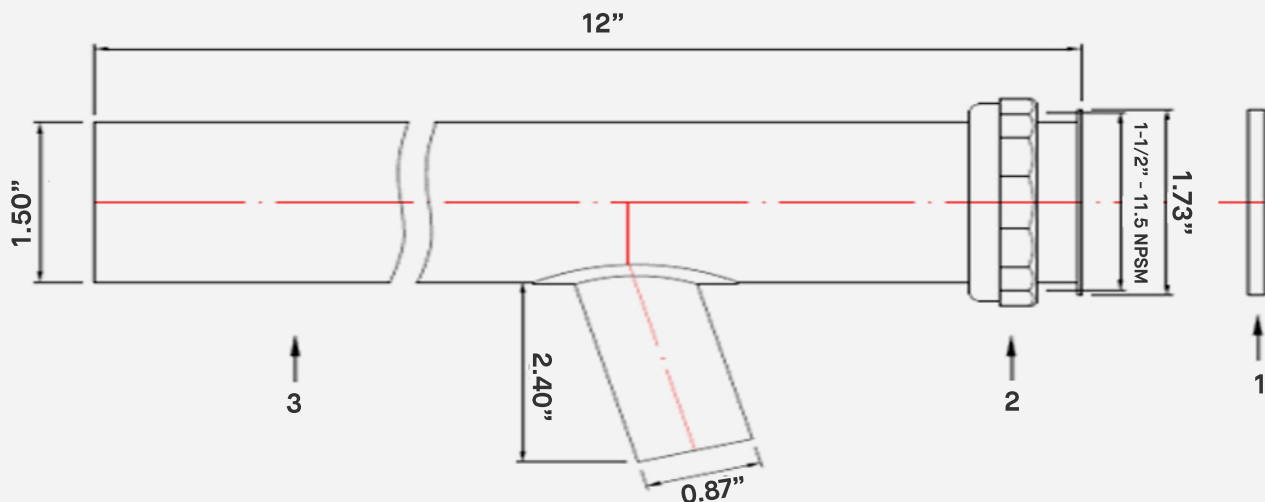


1-1/2" x 12", 17 Gauge, Brass Dishwasher Tailpiece with 3/4" Branch (Rough Brass)

SKU: TB2U17-150-12B75

FEATURES

- **Brass Construction** – gives the product excellent strength and corrosion resistance
- **Easy to Install** – this 17GA piece connects directly without the need for additional equipment for a straightforward joining process
- **Fully Compliant** - Complies with ASME A112.18.1-2018/CSA B125.1-18 standards for use in tubular drain applications in both the United States and Canada



Item	Description	Material
1	1-1/2" Flat Washer	Rubber
2	1-1/2" Nut	Zinc Alloy
3	Tailpiece body & 3/4" welded branch	Brass