

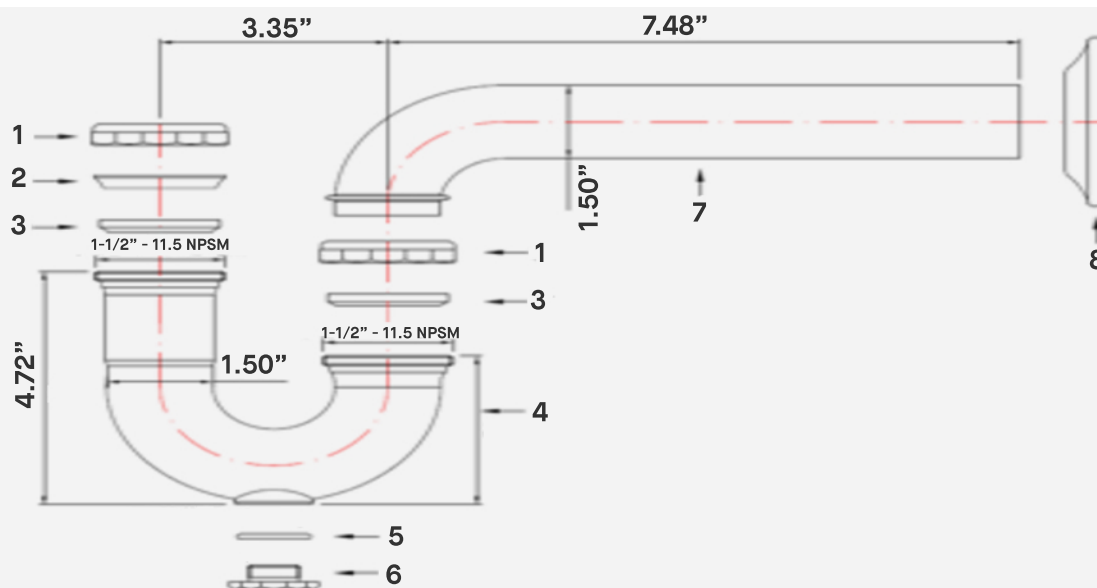
1-1/2" Chrome Plated Brass P-Trap, 17 GA with Cleanout

SKU: TB117-150

FEATURES

- **Chrome-Plated Brass Construction** – gives the product excellent strength and corrosion resistance
- **Easy to Install** – this 17GA piece connects directly without the need for additional equipment for a straightforward joining process
- **Fully Compliant** - Complies with ASME

A112.18.1-2018/CSA B125.1-18 standards for use in tubular drain applications in both the United States and Canada



Item	Description	Quantity	Material
1	1-1/2" Nut	2	Zinc Alloy
2	1-1/2" x1-1/4" Washer	1	Plastic
3	1-1/2" Washer	2	Rubber
4	J bend	1	Brass
5	O-ring	1	Rubber
6	Plug	1	Brass
7	7.5" P bend	1	Brass
8	Decorative Cover	1	Stainless Steel