

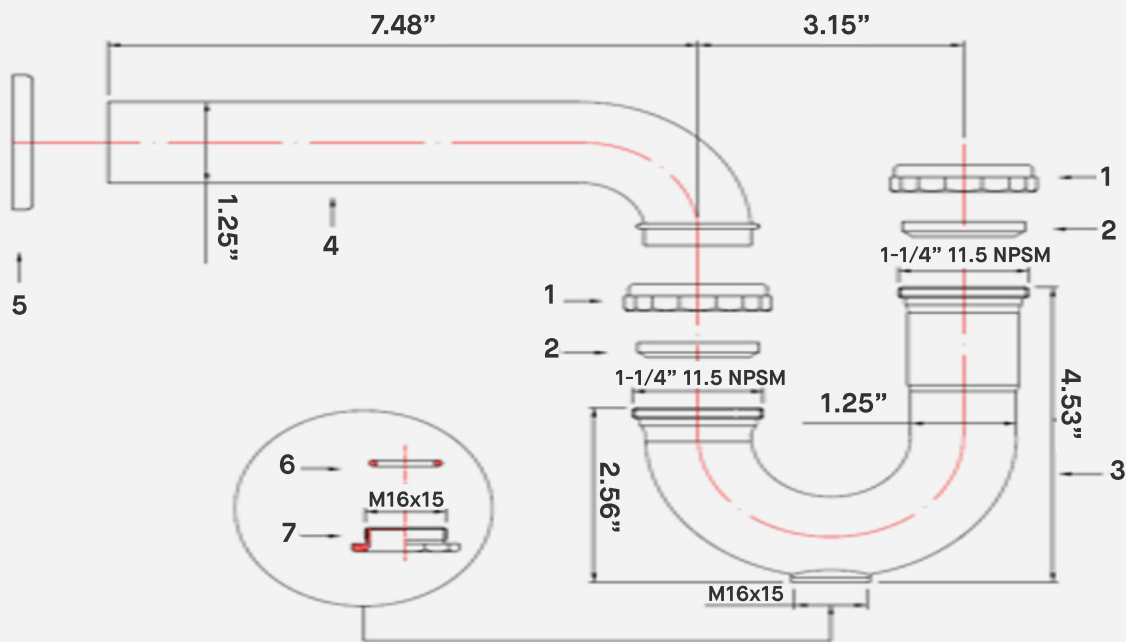
1-1/4" Chrome Plated Brass P-Trap, 17 GA With Cleanout

SKU: TB117-125

FEATURES

- **Chrome-Plated Brass Construction** – gives the product excellent strength and corrosion resistance
- **Easy to Install** – this 17GA piece connects directly without the need for additional equipment for a straightforward joining process
- **Fully Compliant** - Complies with ASME

A112.18.2/CSA B125.2 standards for use in tubular drain applications in both the United States and Canada



Item	Description	Quantity	Material
1	1-1/4" Nut	2	Zinc Alloy
2	1-1/4" Washer	2	Rubber
3	J bend	1	Brass
4	P bend	1	Brass
5	Decorative Cover	1	Stainless Steel
6	O ring	1	Rubber
7	Plug	1	Brass