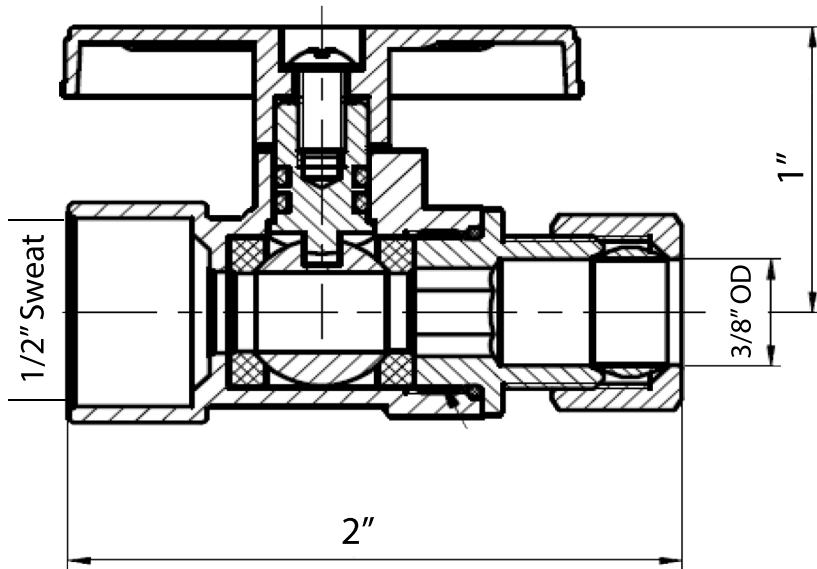


# Bluefin

SKU: SSQ050S-038CS

## 1/2" Sweat x 3/8" OD Compression 1/4 Turn Straight Stop Valve

Lead Free (Chrome)



**Inlet Type:** 1/2" Sweat

**Outlet Type:** 3/8" OD Compression

**Type:** 1/4 Turn ball stop

**Material:** All brass except zinc handle; One-piece brass body

**Operating temperature:** 40° - 180° F

**Pressure:** 125 PSI maximum

100% Leak tested

*For use in potable water distribution systems in accessible locations.*

