

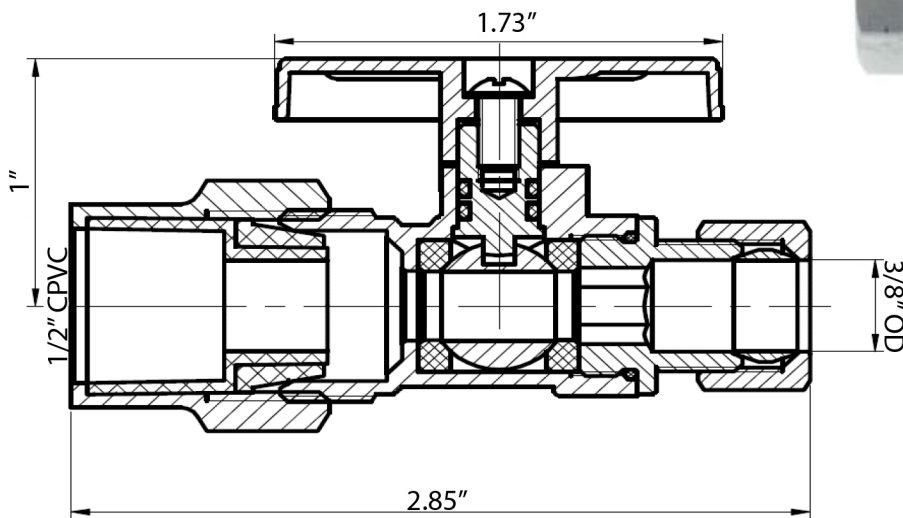
Bluefin

Sku: SSQ050PVC-038CS

1/2" CPVC x 3/8" OD Comp

Quarter Turn Straight Stop Valve

Lead Free (Chrome)



Inlet Type: 1/2" CPVC

Outlet Type: 3/8" OD Compression

Type: Quarter Turn Straight Stop Valve

Material: All brass except zinc handle; One-piece brass body

Operating temperature: 40°- 180° F

Pressure: 125 PSI maximum

100% Leak tested

For use in potable water distribution systems in accessible locations.

