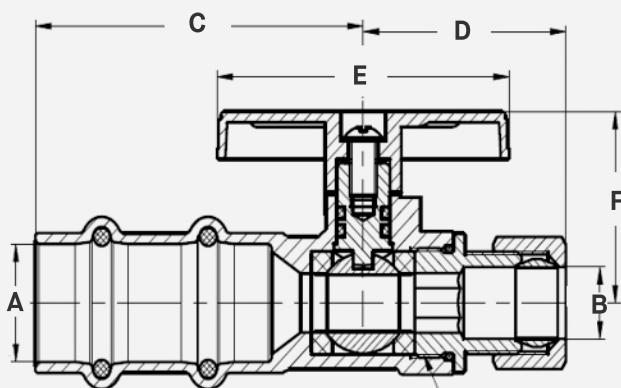


# 1/2" Press x 3/8" OD Compression Quarter Turn Straight Stop Valve

Lead Free (Chrome Plated)

## FEATURES

- **Lead Free** – For safe and effective use in accessible potable water systems.
- **One-piece brass body** – Protects the stop valve from rupturing.
- **100% Leak Tested** - to ensure long-term integrity
- **Built for versatility** - Can withstand temperatures from -40° F to 140° F.
- **High Pressure Tolerance** - Able to withstand a maximum working pressure of 125psi.
- **Zinc handle** – Reduces wear on brass stem over time.



SKU	A	B	C	D	E	F
SSQ050PR-038CS	1/2" Press	3/8" OD Compression	1.94"	1.20"	1.73"	1.03"