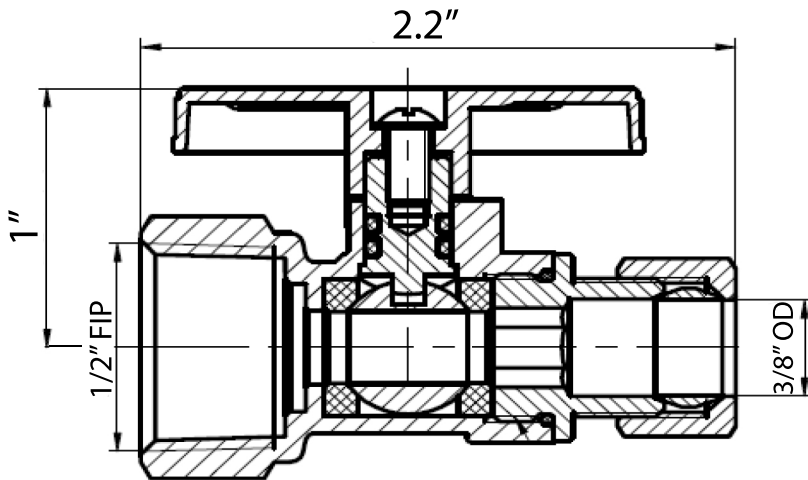


Bluefin

SKU: SSQ050F-038CS

1/2" FIP x 3/8" OD Comp 1/4 Turn Straight Stop Valve

Lead Free (Chrome)



Inlet Type: 1/2" FIP

Outlet Type: 3/8" OD Compression

Type: 1/4 Turn ball stop

Material: All brass except zinc handle; One-piece brass body

Operating temperature: 40°- 180° F

Pressure: 125 PSI maximum

100% Leak tested

For use in potable water distribution systems in accessible locations.

