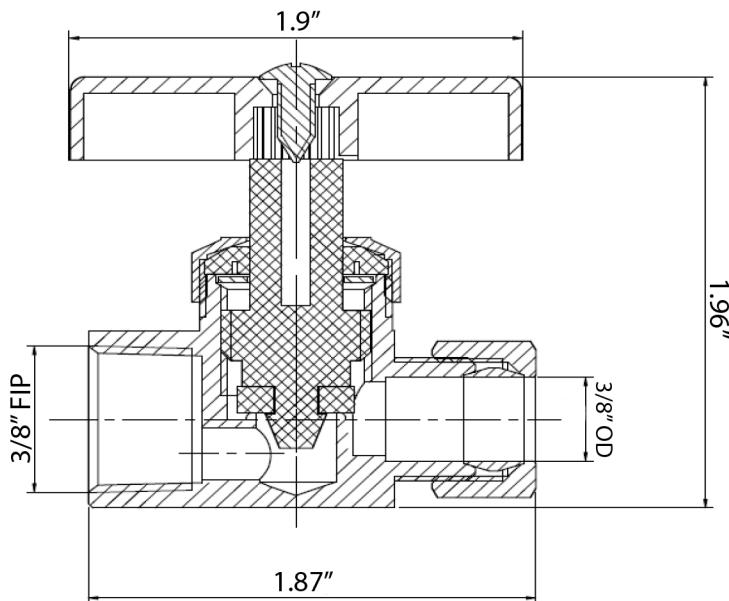


Bluefin

Sku: SSMF038

3/8" FIP x 3/8" OD Comp Multi Turn Straight Stop Valve

Lead Free (Chrome)



Inlet Type: 3/8" FIP

Outlet Type: 3/8" OD Compression

Type: Multi Turn Straight Stop Valve

Material: All brass except Chrome plated ABS handle; One-piece brass body

Operating temperature: 40°- 140° F

Pressure: 125 PSI maximum

100% Leak tested

For use in potable water distribution systems in accessible locations.

