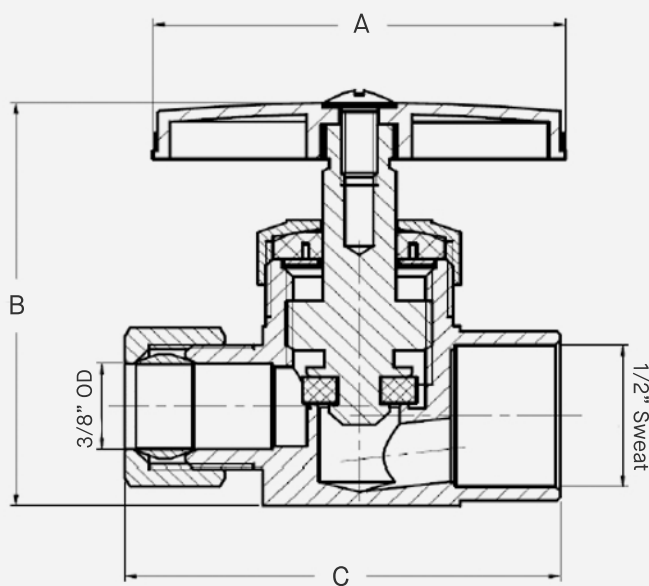


Straight Stop Valve

1/2" Sweat x 3/8" OD Comp. Multi Turn Straight Stop Valve
Lead Free (Rough Brass)

FEATURES

- **Lead Free** – For safe and effective use in accessible potable water systems
- **One-Piece Brass Body** – Protects the stop valve from rupturing
- **100% Leak Tested** - to ensure long-term integrity
- **Built for Versatility** - Can withstand temperatures from -40° F to 140° F
- **High Pressure Tolerance** - Able to withstand a maximum working pressure of 125psi
- **Zinc Handle** – Reduces wear on brass stem over time



SKU	Sweat	OD Comp.	A	B	C
SSM050S-038CS-U	1/2"	3/8"	1.77"	1.98"	1.90"