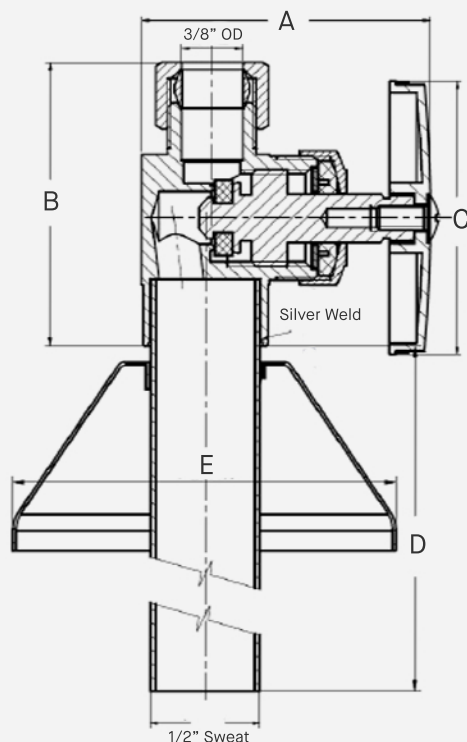


Straight Stop Valve

1/2" Sweat x 3/8" OD Comp. Multi Turn Straight Stop Valve w/ 5" Ext. & Escutcheon
Lead Free (Chrome)

FEATURES

- **Lead Free** – For safe and effective use in accessible potable water systems
- **Multi-Turn Stop** - Reduces the likelihood of accidental shut-offs
- **One-Piece Brass Body** – Protects the stop valve from rupturing
- **100% Leak Tested** - to ensure long-term integrity
- **Built for Versatility** - Can withstand temperatures from -40° F to 140° F
- **High Pressure Tolerance** - Able to withstand a maximum working pressure of 125psi
- **Zinc Handle** – Reduces wear on brass over time



| SKU | Sweat | OD Comp. | A | B | C | D | E |
|-------------------|-------|----------|-------|-------|-------|----|-------|
| SSM050S-038CS-BXT | 1/2" | 3/8" | 1.98" | 1.80" | 1.77" | 5" | 2.40" |