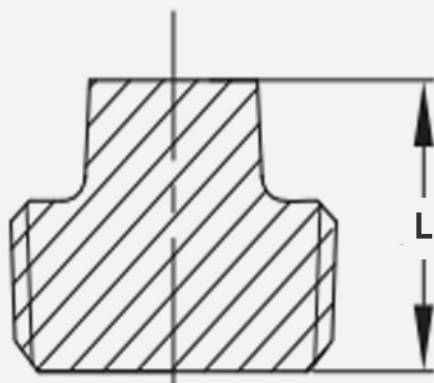


T304 Stainless Steel Square Head Plug

FEATURES

- **Stainless Steel Construction** – durable yet flexible T304 stainless steel makes this product both reliable and easy to work with.
- **High Pressure Tolerance** – Carries a pressure rating of 150lbs.
- **Built for Versatility** – Rated for temperatures from -20°F to 150°F for effective use in a wide variety of systems.



SKU	Size	Length
SLSP025	1/4"	0.75"
SLSP038	3/8"	0.82"
SLSP050	1/2"	0.99"
SLSP075	3/4"	1.10"
SLSP100	1"	1.22"
SLSP125	1-1/4"	1.37"
SLSP150	1-1/2"	1.41"
SLSP200	2"	1.61"