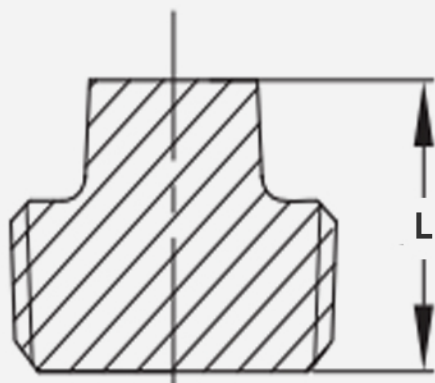


# T304 Stainless Steel Hex Head Plug

## FEATURES

- **Stainless Steel Construction** – durable yet flexible T304 stainless steel makes this product both reliable and easy to work with.
- **High Pressure Tolerance** – Carries a pressure rating of 150lbs.
- **Built for Versatility** – Rated for temperatures from -20°F to 150°F for effective use in a wide variety of systems.



SKU	Size	Length
SLHP038	3/8"	0.74"
SLHP050	1/2"	0.87"
SLHP075	3/4"	0.98"
SLHP100	1"	1.06"