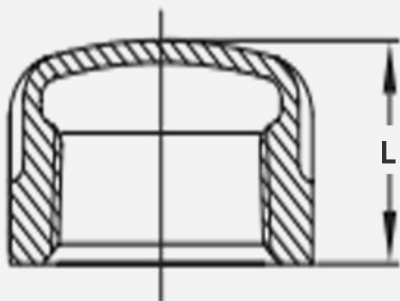


T304 Stainless Steel Cap

FEATURES

- **Stainless Steel Construction** – durable yet flexible T304 stainless steel makes this product both reliable and easy to work with.
- **High Pressure Tolerance** – Carries a pressure rating of 150lbs.
- **Built for Versatility** – Rated for temperatures from -20°F to 150°F for effective use in a wide variety of systems.



SKU	Size	Length
SLCP025	1/4"	0.70"
SLCP038	3/8"	0.83"
SLCP050	1/2"	0.94"
SLCP075	3/4"	1.07"
SLCP100	1"	1.30"
SLCP125	1-1/4"	1.63"
SLCP150	1-1/2"	1.63"
SLCP200	2"	1.74"