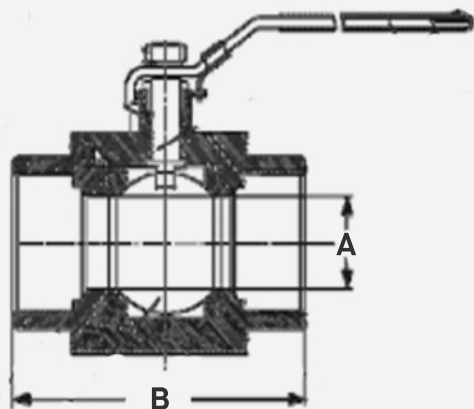


IPS Full Port 316 Stainless Steel 2-Piece Ball Valve

FEATURES

- **Stainless Steel Construction** – 316 stainless steel provides exceptional durability and protection from corrosion.
- **Extreme Temperature Resistance** – Able to withstand temperatures from -60°F to 450°F.
- **Extreme Pressure Tolerance** – Able to withstand a working pressure up to 1000 PSI.



SKU	A	B
SLBV025	1/4" IPS	2.20"
SLBV038	3/8" IPS	2.20"
SLBV050	1/2" IPS	2.48"
SLBV075	3/4" IPS	2.99"
SLBV100	1" IPS	3.30"
SLBV125	1-1/4" IPS	3.86"
SLBV150	1-1/2" IPS	4.25"
SLBV200	2" IPS	4.75"