

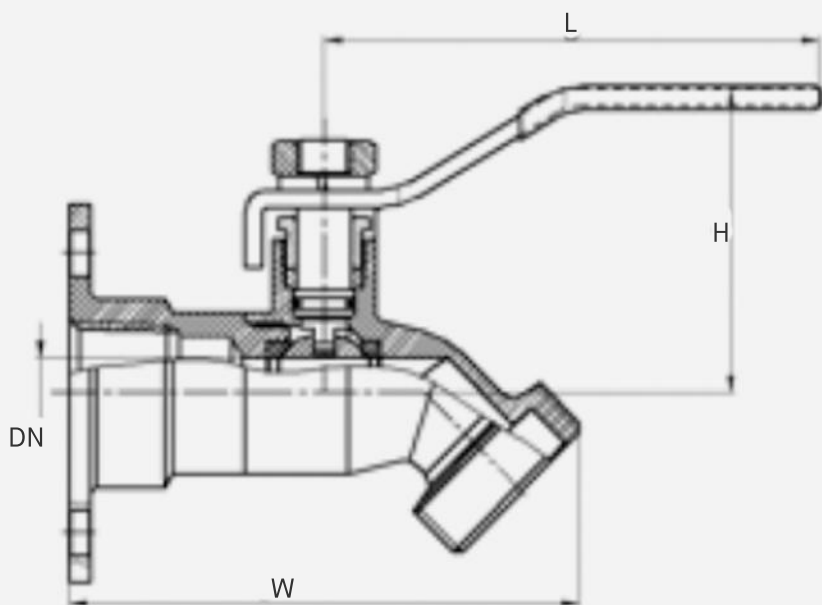
Threaded Chrome-Plated Sillcock

3/4" Garden Hose Thread Lead-Free



FEATURES

- Forged Brass Body – enhances the sillcock’s durability and longevity
- High Pressure Tolerance - Able to withstand a maximum working pressure of 125 PSI
- Meets ANSI B1.20.7 Standards – for hose coupling screw threads



Part No.	Size	DN	L	H	W
SKT075-C	3/4"	0.394	3.46	1.73	3.52