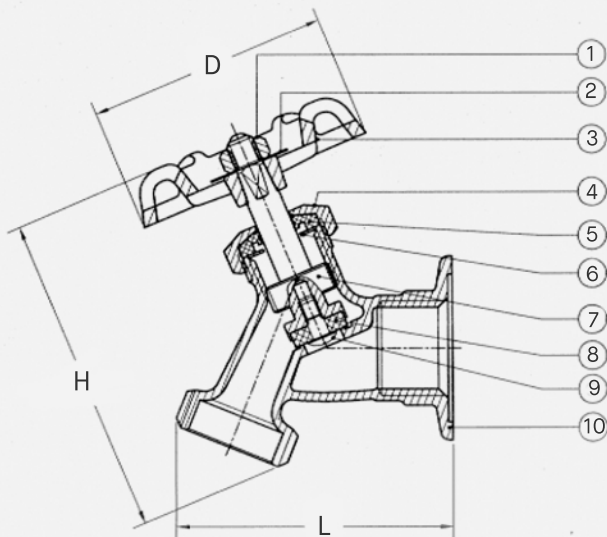


IPS Silcock

Lead Free

FEATURES

- Brass Construction –C46400 brass alloy includes tin for added corrosion resistance and excellent strength
- Rated for Durability - Able to withstand a maximum operating temperature of 180°F and a maximum operating pressure of 125 PSI.



No	Parts	Material	Water Contact
1	Nut	Hot Rolled SAE 1010R	No
2	Name Plate	Aluminum A1100	No
3	Handle	Cast Iron JIS ZZ2202	No
4	Bonnet	Brass Rod C37700	No
5	Packing	Rubber (NBR) SN-719F	Yes
6	Washer	Stainless Steel 304	Yes
7	Stem	Brass Rod C46400	Yes
8	Seat Packing	Rubber (NBR) SN-819F	Yes
9	Screw	Forged Brass C26000	Yes
10	Body	Cast Brass C46400 Mod	Yes

SKU	Nominal Size	Dimension		
		D	H	L
SKT050	1/2" FIP X 3/4" MHT	2.09"	2.82"	2.45"
SKT075	3/4" FIP X 3/4" MHT	2.09"	2.82"	2.45"