

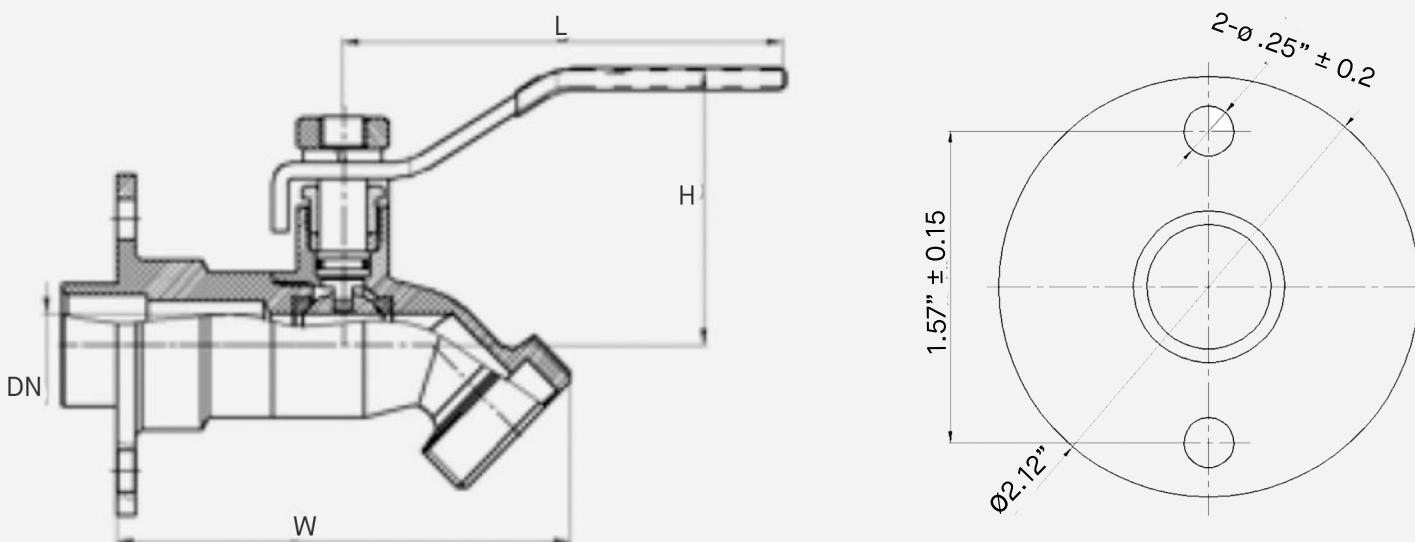
Sweat Chrome-plated Sillcock

Replaces Conventional Gate Valve Sillcock



FEATURES

- Forged Brass Body – enhances the sillcock’s durability and longevity
- High Pressure Tolerance -
Able to withstand a maximum working pressure of 125 PSI
- For Non-Potable Applications – Not for use in systems that handle drinking water



Part No.	Size	DN	L	H	W
SKS050-CNP	1/2"	0.394	3.46	1.73	3.27