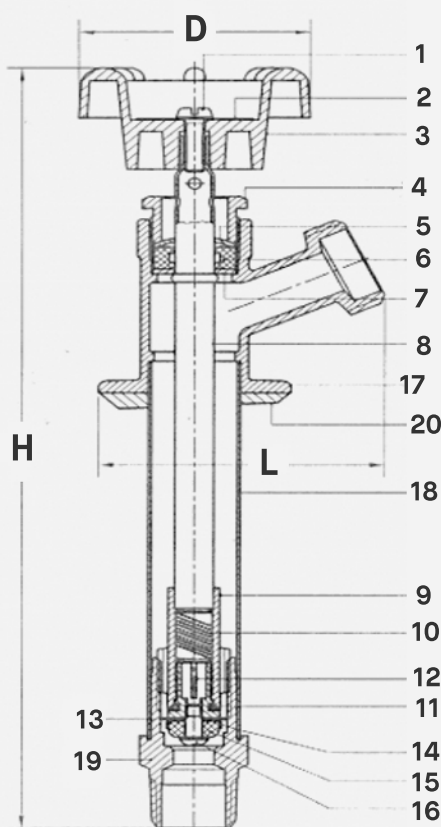


MIP x Inside Sweat - Frost-Proof Sillcock

(Lead Free)

FEATURES

- **Brass Construction** – C46400 brass alloy includes tin for added corrosion resistance and excellent strength.
- **Chrome Plated Finish** – Makes the spout more corrosion-resistant and more attractive.
- **Rated for Durability** - Able to withstand a maximum operating temperature of 180°F at 125 PSI.
- **Not Anti-Siphon**
- **Garden Hose Thread Outlet**



| SKU | Size | D | H | L |
|------------|---------------------------|-------|--------|-------|
| SK050MC-2 | 1/2" PEX x 3/4" MHT x 2" | 2.20" | 6.61" | 2.72" |
| SK050MC-4 | 1/2" PEX x 3/4" MHT x 4" | 2.20" | 8.62" | 2.72" |
| SK050MC-6 | 1/2" PEX x 3/4" MHT x 6" | 2.20" | 10.63" | 2.72" |
| SK050MC-8 | 1/2" PEX x 3/4" MHT x 8" | 2.20" | 12.64" | 2.72" |
| SK050MC-10 | 1/2" PEX x 3/4" MHT x 10" | 2.20" | 14.65" | 2.72" |
| SK050MC-12 | 1/2" PEX x 3/4" MHT x 12" | 2.20" | 16.69" | 2.72" |
| SK050MC-14 | 1/2" PEX x 3/4" MHT x 14" | 2.20" | 18.70" | 2.72" |

| Number | Part | Material | Water Contact |
|--------|--------------|---------------------------------|---------------|
| 1 | Bolt | Forged Brass C2600 | N |
| 2 | Name Plate | Aluminum A1100 | N |
| 3 | Handle | Zinc Z30A | N |
| 4 | Bonnet | Brass ROD C37700 | N |
| 5 | Washer | Stainless Steel 304 | N |
| 6 | Packing | Rubber (NBR) SN719F | Y |
| 7 | Washer | Stainless Steel 304 | Y |
| 8 | Pipe | Brass (Copper Alloy Nos. 27000) | Y |
| 9 | Stem | Brass ROD C46400 | Y |
| 10 | Spring | Stainless Steel 304 | Y |
| 11 | O-ring | Rubber (NBR) SN719F | Y |
| 12 | Spring Seat | Brass ROD C46400 | Y |
| 13 | Flapper | Rubber (NBR) SN719F | Y |
| 14 | Seat | Forged Brass C26000 | Y |
| 15 | Seat Packing | Rubber (NBR) SN719F | Y |
| 16 | Screw | Forged Brass C26000 | Y |
| 17 | Body | Cast Brass C46400 MOD | Y |
| 18 | Pipe | Brass (Copper Alloy Nos. 27000) | Y |
| 19 | Nipple | Brass ROD C46400 | Y |
| 20 | Packing | POM M90 Formocon FM090 CF500P | N |