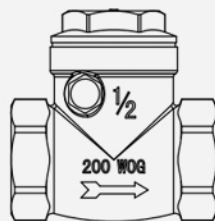
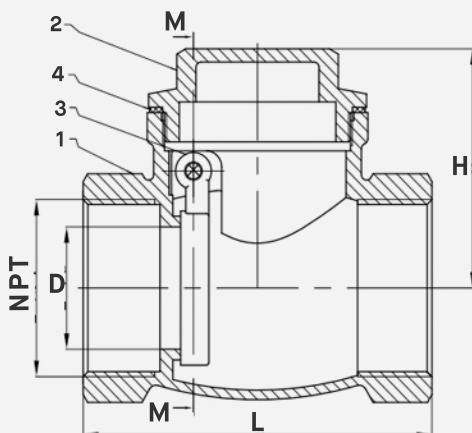


3" Threaded Swing Check Valve

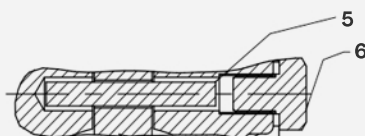
(Lead Free)

FEATURES

- **Forged Brass Body** – enhances the valve’s durability and longevity Forged Brass Body.
- **High Pressure Tolerance** - Able to with stand a maximum working pressure of 200psi.
- **Temps from Freezing to Boiling** – Able to with stand any working temperature between 32°F-212°F.



No.	Item	Total	Material
1	Body	1	Lead Free Brass
2	Bonnet	1	Lead Free Brass
3	Disc	1	Lead Free Brass
4	Washer	1	Fiber
5	Pin	1	Lead Free Brass
6	Bolt	1	Lead Free Brass



SKU	NPT	D	L	H
SCT300	3"	2.99"	5.51"	3.54"