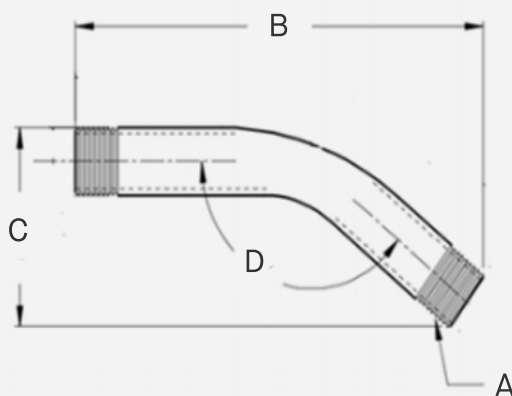


# 6" Chrome Plated Shower Arm & Stainless Steel Flange

## FEATURES

- **Certified Lead-Free** - Brass meets NSF372 standards for safe use in drinking water systems.
- **Widely Compatible** - Meets NPT and ASME B1.20.1 regulations for standard pipe thread.
- **Durable** - Meets ASTM B124 specifications for hot forging.



SKU	A	B	C	D	Surface
SA600SS	1/2" NPT	5-3/4"	2-3/8"	145°	Chrome Plated