

3/4" Brass Radiator Union Elbow

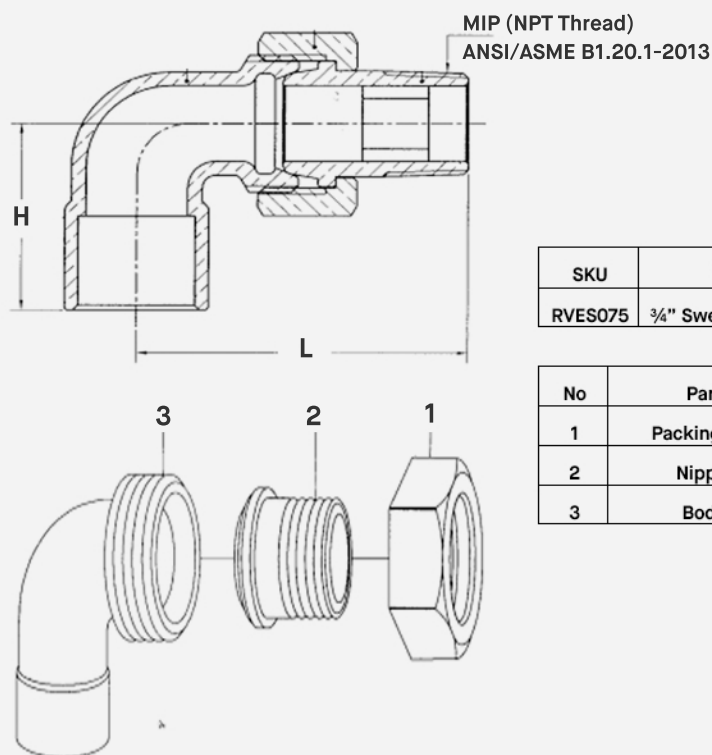
(CXC x Male Union)

FEATURES

- **C85700 Brass Construction** – Ideal for applications requiring durability, aesthetic appeal, and resistance to water and heat exposure.

Sweat x Threaded Connection Method

C x MNPT Union Connection Type



SKU	Size	Dimensions			
		H	L	Sweat	MIP
RVES075	3/4" Sweat x 3/4" MIP	1.50"	2.44"	0.87"	3/4" - 14NPT

No	Part	Material	QTY	Water Contact
1	Packing Nut	Forged Brass C37700	1	No
2	Nipple	Forged Brass C37700	1	Yes
3	Body	Cast Brass C85700	1	Yes