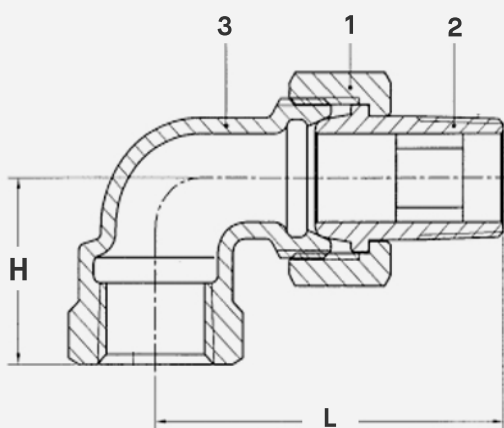


Radiator Union Elbow

(FIP x Male Union)

FEATURES

- **High Pressure Tolerance** – Rated to withstand a pressure of 200 WOG (non-shock).
- **Fully-Compliant** - Meets ANSI/ASME B1.20.1-1983 standards for threaded piping.



SKU	Size	H	L
RVE038	3/8" FIP x 3/8" MIP	1.00"	2.01"
RVE050	1/2" FIP x 1/2" MIP	1.10"	2.26"
RVE075	3/4" FIP x 3/4" MIP	1.24"	2.58"
RVE100	1" FIP x 1" MIP	1.40"	2.91"
RVE125	1-1/4" FIP x 1-1/4" MIP	1.79"	3.35"

Number	Part	Material	Water Contact
1	Packing Nut	Forged Brass C37700	No
2	Nipple	Forged Brass C37700	Yes
3	Body	Cast Brass C85700	Yes