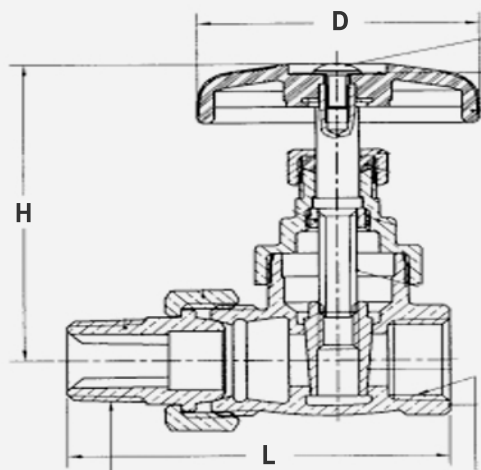


Steam Radiator Gate Valve

(FIP x Male Union)

FEATURES

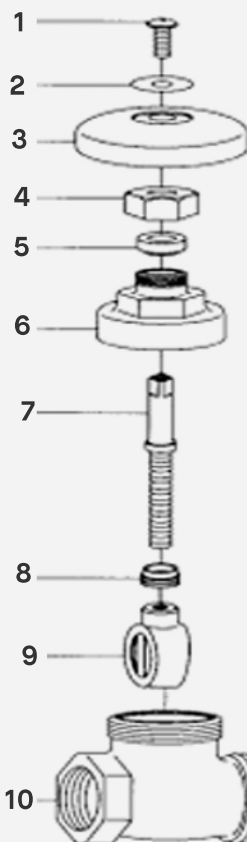
- **C85700 Brass Construction** – Ideal for applications requiring durability, aesthetic appeal, and resistance to water and heat exposure.
- **Rated for Durability** – Carries a 60PSI/250°F pressure/temperature rating to withstand conditions in a wide range of job settings
- **Connection Type:** FNPT x MNPT Union



MIP (NPT THREAD)
ANSI/ASME B1.20.1 -2013

FIP (NPT THREAD)
ANSI/ASME B1.20.1 -2013

No	SKU	Size	Dimensions				
			D	H	L	FIP	MIP
1	RGVST075	3/4" FIP x 3/4" MIP	2.26"	3.58"	3.52"	3/4" - 14NPT	3/4" - 14NPT
2	RGVST100	1" FIP x 1" MIP	2.26"	4.03"	3.97"	1" - 11.5 NPT	1" - 11.5 NPT
3	RGVST125	1-1/4" FIP x 1-1/4" MIP	2.26"	4.76"	4.44"	1-1/4" - 11.5 NPT	1-1/4" - 11.5 NPT



No	Part	Material	Qty	Water Contact
1	Bolt	Hot Rolled SAE 1010R	1	No
2	Name Plate	Aluminum A1100	1	No
3	Handle	Phenolic	1	No
4	Packing Nut	Brass Rod C37700	1	No
5	Packing	Teflon Polyflon PTFE M-392	1	Yes
6	Bonnet	Cast Bronze C84400	1	Yes
7	Stem	Brass Rod C37700	1	Yes
8	Locknut	Brass Rod C37700	1	Yes
9	Disc	Cast Bronze C84400	1	Yes
10	Body	Cast Bronze C84400	1	Yes
11	Nipple	Cast Bronze C84400	1	Yes
12	Packing Nut	Cast Bronze C84400	1	No

