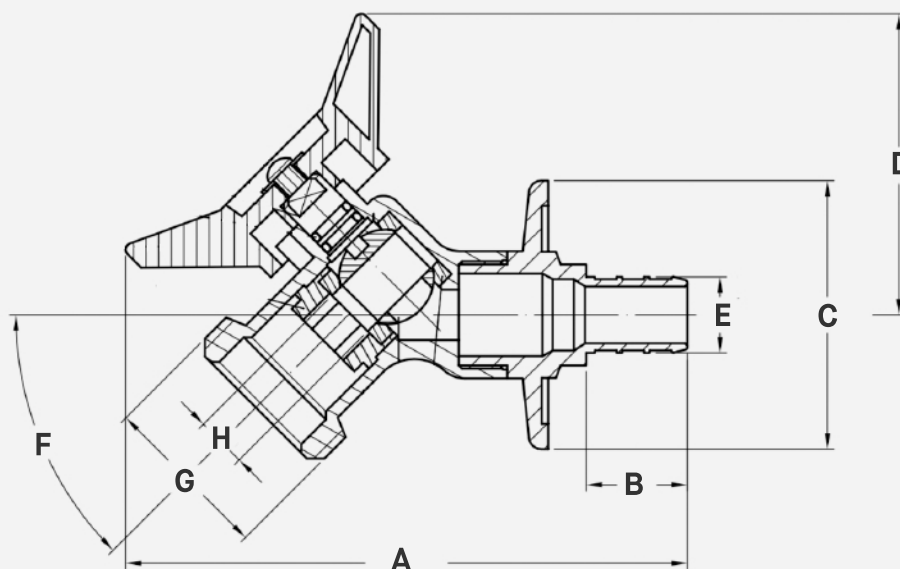


1/2" Pex Sillcock - 1/4 Turn

Lead Free

FEATURES

- **Lead Free** – Made from lead free C46500 brass alloy for safe use in commercial and residential jobs.
- **Built for Versatility** – Rated for working pressures from 20 PSI to 125 PSI and working temperatures from 41°F to 160°F for effective use in a variety of systems.
- **Fully Compliant** - Complies with ASME A112.18.1-2018/CSA B125.1-18 standards for use in both the United States and Canada.



SKU	A	B	C	D	E	F	G	H
PXSILT050	3.50"	0.63"	1.67"	1.91"	0.47"	45°	3/4" NH	0.31"