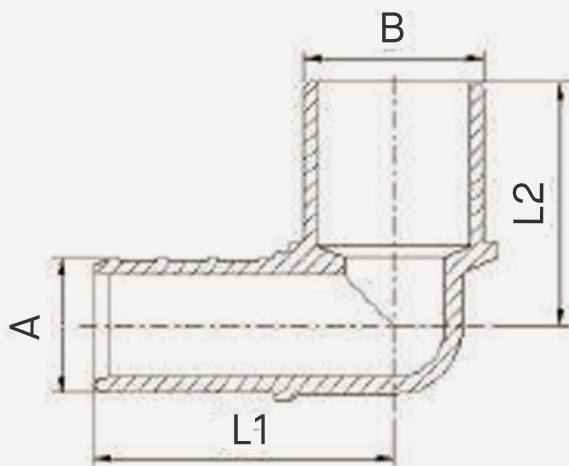


1/2" PEX x 1/2" Copper Fitting DZR Brass Elbow

Lead Free

FEATURES

- **Lead-free** – Made from dezincification resistant ECO certified lead-free brass alloy C69300 for exceptional protection against dezincification, stress corrosion, and cracking.
- **Durable** – Able to withstand a maximum temperature of 200°F and a maximum pressure of 200 PSI.
- **Fully-compliant** – Meets ASTM F1807 Specifications for safe and effective use on commercial and residential jobs.
- **Widely Compatible** – May be used with the stainless-steel clamping system or the copper crimp ring system.



SKU	A	B	L1	L2
PXSE050-DZR	.47"	.62"	1.04"	.85"