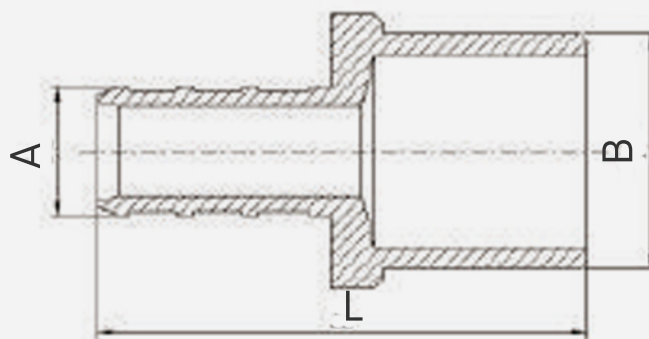


Male Sweat Copper Fitting DZR Brass Adapter

Lead Free

FEATURES

- **Lead-free** – Made from dezincification resistant ECO certified lead-free brass alloy C69300 for exceptional protection against dezincification, stress corrosion, and cracking.
- **Durable** – Able to withstand a maximum temperature of 200°F and a maximum pressure of 200 PSI.
- **Fully-compliant** - Meets ASTM F1807 Specifications for safe and effective use on commercial and residential jobs.
- **Widely Compatible** – May be used with the stainless-steel clamping system or the copper crimp ring system.



SKU	A	B	L
PXSA050-DZR	.47"	.62"	1.32"
PXSA050-075-DZR	.47"	.87"	1.55"
PXSA058-075-DZR	.57"	.87"	1.55"
PXSA075-DZR	.66"	.87"	1.55"
PXSA075-050-DZR	.66"	.62"	1.32"
PXSA100-DZR	.85"	1.13"	1.91"