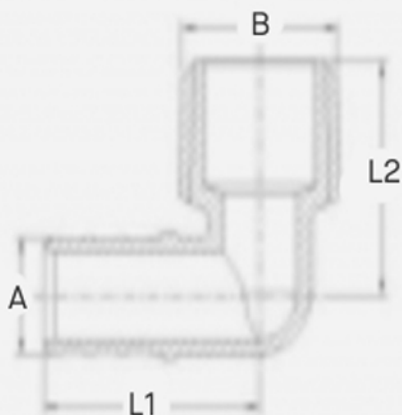


PEX x Male Threaded DZR Brass Elbow

(Lead Free)

FEATURES

- **Lead-free** – Made from dezincification resistant ECO certified lead-free brass alloy C69300 for exceptional protection against dezincification, stress corrosion, and cracking.
- **Durable** – Able to withstand a maximum temperature of 200°F and a maximum pressure of 200 PSI.
- **Fully-compliant** - Meets ASTM F1807 Specifications for safe and effective use on commercial and residential jobs.
- **Widely Compatible** – May be used with the stainless-steel clamping system or the copper crimp ring system. Bluefin Lead Free Brass Threaded Elbows connect PEX to Female Thread



SKU	Size	A	B	L1	L2
PXME050-DZR	1/2" x 1/2"	0.47"	1/2" NPT	1.14"	0.94"
PXME075-DZR	3/4" x 3/4"	0.67"	3/4" NPT	1.24"	1.12"
PXME050-075-DZR	1/2" x 3/4"	0.47"	3/4" NPT	1.22"	1.06"
PXME058-075-DZR	5/8" x 3/4"	0.63"	3/4" NPT	1.18"	1.14"