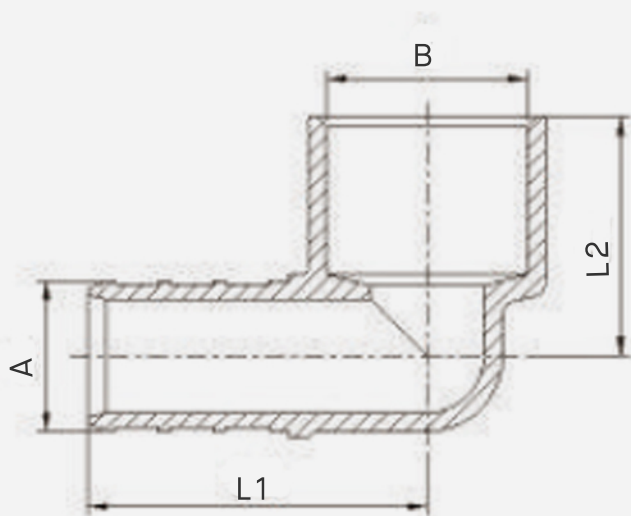


Copper Pipe DZR Brass Elbow

Lead Free

FEATURES

- **Lead-free** – Made from certified lead-free EcoBrass UNS C69300 for exceptional protection against dezincification, stress corrosion, and cracking.
- **Safe for Drinking Water** - Meets ASTM F877, F-1807, and NSF/ANSI 61b standards for use in hot- and cold drinking water distribution systems.
- **Versatile** – Able to withstand a maximum working pressure of 230 PSI and a temperature range of -4° F to 200° F for use in a wide-variety of plumbing systems
- **Female Sweat Brass Elbow**



SKU	A	B	L1	L2
PXCE050-DZR	.47"	.63"	1.06"	.74"
PXCE050-075-DZR	.47"	.87"	1.18"	.98"
PXCE075-050-DZR	.66"	.63"	1.06"	.86"
PXCE075-DZR	.66"	.87"	1.18"	1.06"