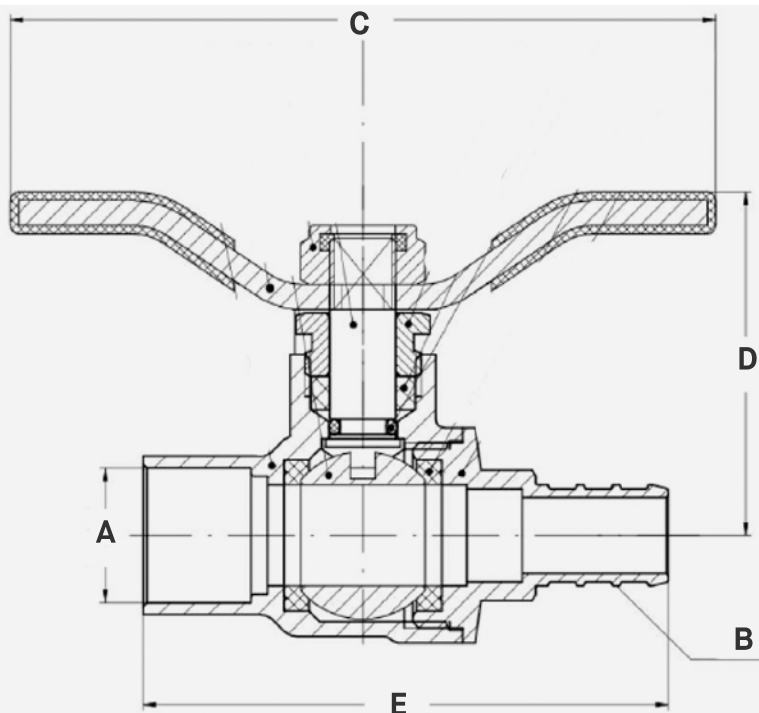


# 1/2" PEX x 1/2" Sweat Ball Valve w/ T-Handle

Lead Free

## FEATURES

- **Lead Free** – Made from lead free C46500 brass alloy for safe use in commercial and residential jobs.
- **Built for Versatility** – Rated for working pressures from 20 PSI to 125 PSI and working temperatures from 41°F to 160°F for effective use in a variety of systems.
- **Fully Compliant** - Complies with ASME A112.18.1-2018/ CSA B125.1-18 standards for use in both the United States and Canada.



| SKU      | A          | B        | C     | D     | E     |
|----------|------------|----------|-------|-------|-------|
| PXBVT050 | 1/2" Sweat | 1/2" PEX | 3.35" | 1.61" | 2.42" |