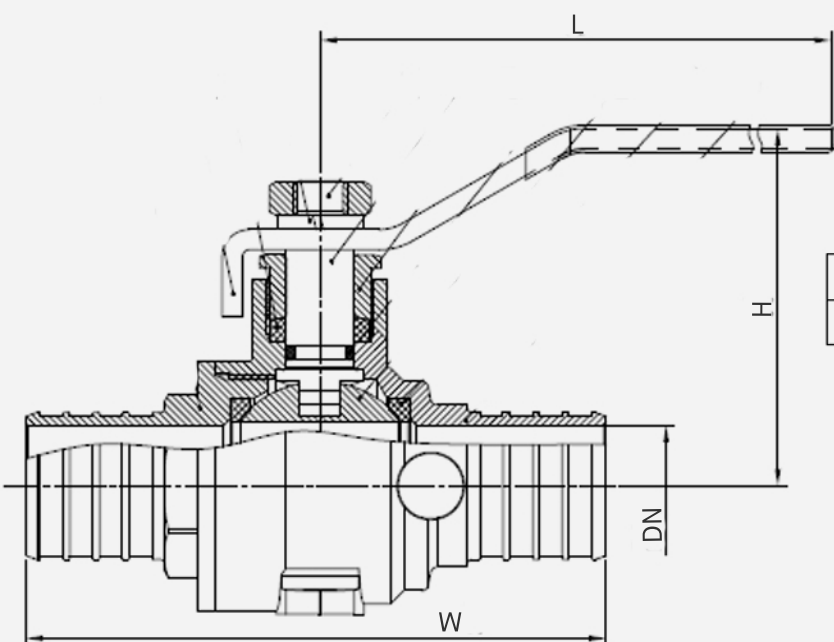


1" PEX Ball Valve w/ Waste Drain & Drop Ear Elbow

Lead Free

FEATURES

- Lead Free Brass – Makes the ball valve resistant to dezincification corrosion and safe to use in commercial and residential drinking water systems
- Built for versatility - Can withstand temperatures from -20° F to 300° F for use in a wide-variety of systems
- Rated for Durability - Has a water, oil, and gas rating of 600psi
- Connection Type - PEX Crimp x PEX Crimp
- Includes Drop Ear and Bleeder



SKU	DN	W	H	L
PXBVD100-DE	0.71"	3.38"	2.09"	4.29"