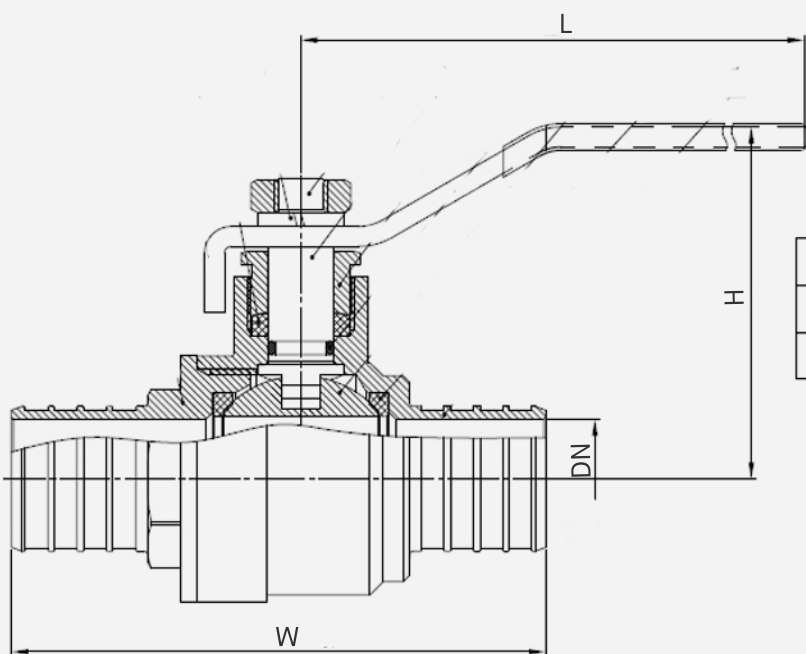


PEX Full Port Ball Valve

Lead Free

FEATURES

- DZR Lead Free Brass – Makes the ball valve resistant to dezincification corrosion and safe to use in commercial and residential drinking water systems
- Blow-Out Proof Stem Design - Ensures a reliable seal
- Built for Versatility - Can withstand temperatures up to 300° F for use in a wide-variety of systems
- Rated for Durability - Has a water, oil, and gas rating of 600psi



SKU	DN	W	H	L
PXBV125	.87"	3.62"	2.19"	4.29"
PXBV150	1.04"	4.29"	2.38"	5.63"