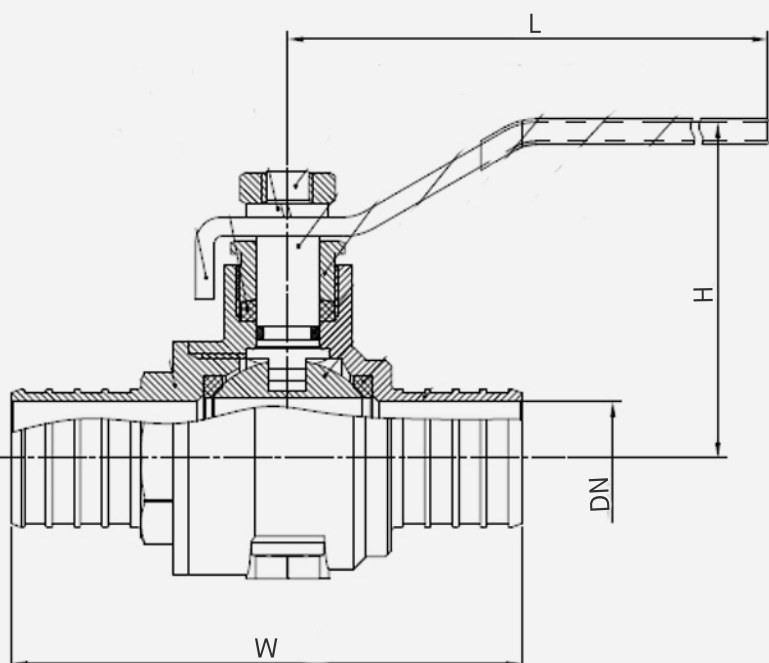


PEX Crimp Drop Ear Ball Valve

Lead Free

FEATURES

- Lead Free Brass – Brass alloy C465000 makes the ball valve resistant to dezincification corrosion and safe to use in plumbing and drinking water systems
- Connection Type - PEX Crimp x PEX Crimp



SKU	DN	W	H	L
PXBV050-DE	.35"	2.44"	1.64"	3.46"
PXBV075-DE	.53"	2.55"	1.81"	3.46"
PXBV100-DE	.71"	3.17"	2.09"	4.29"