



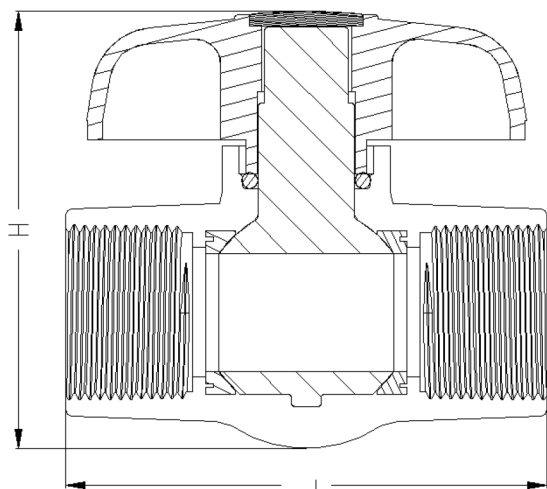
White Schedule 40 PVC Ball Valve (Threaded)

PVC body and nut

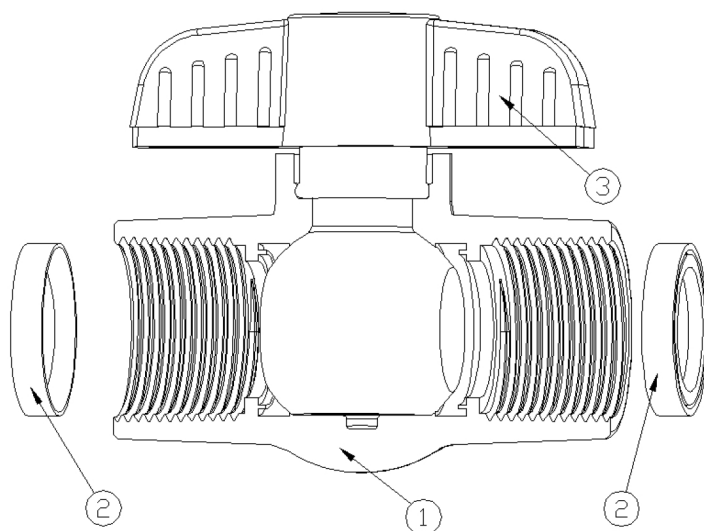
Color: White

TPE gaskets

Rated 150 PSI up to 73° F.



No.	Part	Material
1	Body	PVC
2	Gasket	TPE
3	Handle	ABS



SKU	Size	L	H	Weight (lbs)
PVBVT050	1/2"	3.05"	2.60"	0.181
PVBVT075	3/4"	3.45"	3.07"	0.265
PVBVT100	1"	3.96"	3.62"	0.413
PVBVT125	1-1/4"	4.36"	3.89"	0.595
PVBVT150	1-1/2"	4.86"	4.29"	0.888
PVBVT200	2"	5.60"	5.33"	1.594
PVBVT250	2-1/2"	6.92"	6.30"	2.767
PVBVT300	3"	8.42"	7.12"	4.262
PVBVT400	4"	10"	8.24"	6.208