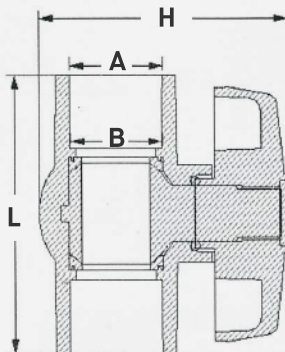
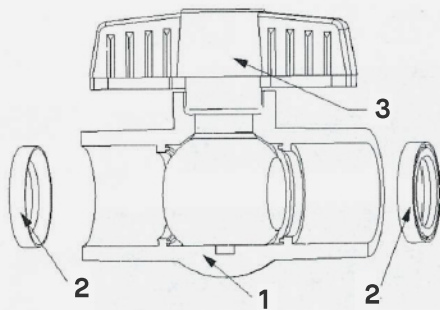


Gray Schedule 80 PVC Ball Valve

(Solvent)

FEATURES

- PVC body and nut
- Fits Sch. 40 & Sch. 80 Pipe
- TPE Gaskets
- Rated at 150 PSI up to 73°F
- ISO-9002



No.	Part	Material
1	Body	PVC
2	Gasket	TPE
3	Handle	ABS

SKU	Size	A	B	L	H	Weight (lbs)
PVBVS050G	1/2"	0.848"	0.83"	3.05"	2.60"	0.167 lbs
PVBVS075G	3/4"	1.058"	1.04"	3.45"	3.07"	0.233 lbs
PVBVS100G	1"	1.325"	1.31"	3.96"	3.62"	0.392 lbs
PVBVS125G	1-1/4"	1.670"	1.65"	4.36"	3.89"	0.571 lbs
PVBVS150G	1-1/2"	1.912"	1.89"	4.86"	4.29"	0.870 lbs
PVBVS200G	2"	2.387"	2.37"	5.60"	5.33"	1.406 lbs
PVBVS300G	3"	3.516"	3.49"	8.42"	7.12"	4.089 lbs
PVBVS400G	4"	4.518"	4.49"	10.00"	8.24"	6.084 lbs