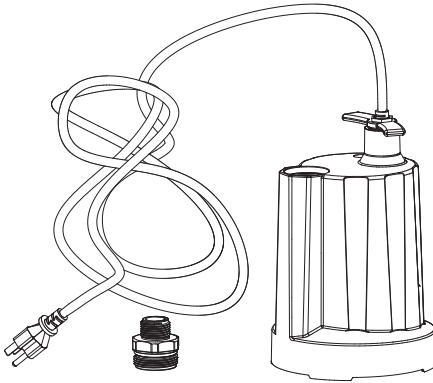




SupplyHouse LLC
Phone: 888-757-4774
Email: Customerservice@Supplyhouse.com

Owner's Manual
Submersible Sump Pump
Model: PUPLSC-121PL



Model: PUPLSC-121PL

▲ WARNING: Read carefully and understand all ASSEMBLY AND OPERATION INSTRUCTIONS before operating. Failure to follow the safety rules and other basic safety precautions may result in serious personal injury

If you have any **QUESTIONS, PROBLEMS, MISSING PARTS**, please call our customer service department at 888-757-4774 before returning to your retailer

TECHNICAL SPECIFICATIONS

Model: **PUPLSC-121PL**

Property	Specifications
Voltage	115V/60Hz
Horse Power	1/6HP
Amps	3.5A
Max. Head (ft.)	29.5 ft.
Max. Flow (GPH)	1750@5ft
Discharge Size (in.)	1-1/4 in.
Power cord length (ft.)	10 ft.

PERFORMANCE

Model	GPH of water @ Total Ft. Head					Max. Head
	5 ft.	10 ft.	15 ft.	20 ft.	25 ft.	
PUPLSC-121PL	1750	1550	1310	1030	650	29.5ft.

SAFETY INFORMATION

WARNING

- Always make sure the pump is unplugged as soon as the water level reaches 1/4 in.. At water levels less than 1/4 in., the pump is attempting to pump air, which will cause the pump to overheat and wear out. Running the pump without sufficient water will damage the pump and void the pump's warranty.
- Do not pump flammable or explosive liquids such as oil, gasoline, kerosene, ethanol, etc. Do not use in the presence of flammable or explosive vapors. Using this pump with or near flammable liquids can cause an explosion or fire, resulting in property damage, serious personal injury and/or death.
- Always disconnect the pump from its power source before inspection.
- Do not stand in water when the pump is connected. Do not handle pump with wet hands.
- Do not touch the pump housing while it is operating, as the pump may be HOT and can cause serious skin burns.
- Do not disassemble the motor housing. This pump has NO repairable internal parts, and disassembling may cause an oil leak or dangerous electrical wiring issues.

CAUTION

- This submersible utility pump is designed for portable applications. It can drain or remove water from the following: pits, sinks, window wells, basements, swimming pool covers, boats, low spots in yards, or other flooded areas. This pump has not been tested or approved for use in swimming pools or in salt-water marine areas.
- This pump is made of high-strength, corrosion-resistant materials. It will provide trouble-free service for many years when properly installed, maintained, and used. However, inadequate electrical power to the pump, or blockage by ice, dirt, or debris may cause the pump to fail, potentially bringing about additional water damage. To minimize the potential for water damage due to pump failure, please read the section of this manual regarding common pump problems and remedies or call **1-888-757-4774**
- This pump is not designed to function as a permanently installed sump pump. It is also not engineered to be run continuously as a "fountain" or "waterfall" pump. Because this pump has an oil-filled motor, it should NOT be used in water containing fish. The pump should be used with a 5/8 in. or larger inside diameter garden hose, or use with hose kit.
- For safety, the pump motor has an automatically resetting thermal protector that automatically will turn off the pump if it becomes too hot. Overuse of this feature will damage the pump and void the warranty.
- Once the thermal protector detects that the pump has cooled to a safe temperature, it will allow the pump to operate normally. If the pump is plugged in, it may restart unexpectedly.

ADDITIONAL SAFETY PRECAUTIONS

1. Know the pump applications, limitations, and potential hazards.
2. Make certain the electrical power source is adequate for the requirements of the pump.
3. ALWAYS disconnect the power to the pump and drain all water from the system before servicing.
4. Secure the pump on a solid base to keep the pump vertical and above mud and sand during operation to maximize pumping efficiency and prevent clogging and premature pump failure.
5. Secure the discharge hose before starting the pump. Pump torque may cause an unsecured discharge hose to "whip", possibly causing personal injury and/or property damage.
6. Before using the pump, check hose for holes or excess wear, which could cause leaks, and be sure hose is not kinked or making sharp angles. A straight hose allows the pump to move the greatest amount of water quickly.
7. Check that all hose connections are tight to minimize leaks.
8. Connect the pump DIRECTLY to a grounded, GFCI outlet.
9. Extension cords may not deliver sufficient voltage to the pump motor. Extension cords present a life-threatening safety hazard if the insulation becomes damaged or the connection ends fall into water.

▲ ADDITIONAL SAFETY PRECAUTIONS

10. Make certain the electrical circuit to the pump is protected by a 10-amp or larger fuse or circuit breaker.
11. Periodically inspect pump and system components, to be sure pump inlets are free of mud, sand and debris. **DISCONNECT PUMP FROM THE POWER SUPPLY BEFORE INSPECTING.**
12. Wear safety glasses at all times when working with pumps.
13. Follow all electrical and safety codes, particularly the National Electrical Code (NEC) and in the workplace, the Occupational Safety and Health Act (OSHA).
14. The unit is designed only for use on 115 volts (single phase), 60 Hz, and is equipped with an approved 3-conductor cord and 3-prong grounded plug. **DO NOT REMOVE THE GROUND PIN UNDER ANY CIRCUMSTANCES.** The 3-prong plug must be directly inserted into a properly installed and grounded 3-prong, grounding-type receptacle. Do not use pump with a 2-prong wall outlet. Replace the 2-prong outlet with a properly grounded 3-prong receptacle (a GFCI outlet) installed in accordance with the National Electrical Code and local codes and ordinances. All wiring should be performed by a qualified electrician.
15. Protect the electrical cord from sharp objects, hot surfaces, oil, and chemicals. Avoid kinking the cord. Do not use damaged or worn cords.

PREPARATION

▲ WARNING

WARNING: Always use handle to lift pump. Never use power cord to lift pump. To avoid skin burns, unplug and allow time for the pump to cool after periods of extended use.

Before beginning assembly of product, make sure all parts are present. Compare parts with package contents list. If any part is missing or damaged, do not attempt to assemble the product.

Estimated Assembly Time (New installation): 5 minutes

Materials Required for Assembly (not included): Garden Hose or Hose Kit

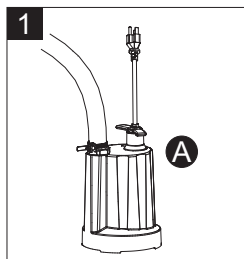
The pump should rest on a level, solid base.

- Do not suspend the pump by the discharge hose or power cord.
- Keep the pump inlet screen clear.
- Do not install pump directly on sand or dirt. A minimum water level of 1 in. is required to prime the pump.

INSTALLATION INSTRUCTIONS

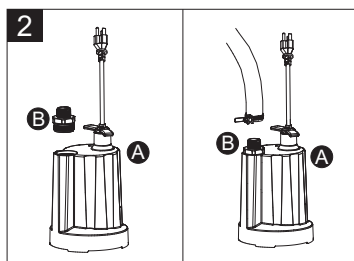
Attach a 5/8" inside diameter or larger garden hose (not included) to the pump (A) outlet.

Note: Be sure the hose end has a rubber washer to minimize water leaks.



INSTALLATION INSTRUCTIONS

If you would prefer to use a larger hose in order to pump water away more quickly, attach the included adaptor (B) to pump (A), and then securely attach the Hose Kit (not included) to the adaptor (B).



WARNING: Secure the discharge hose before plugging in the pump. Pump torque may cause an unsecured discharge hose to "whip", possibly causing personal injury and/or property damage.

OPERATION INSTRUCTIONS

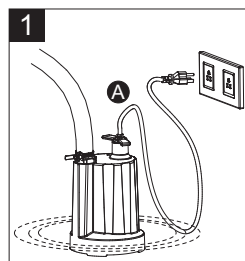
NOTICE: Make certain you unwind the garden hose completely. Kinks in the hose will restrict the pump, preventing it from priming, which is the first step to pumping water. The water level must be at 1 in. for the pump to prime and operate.

Plug the pump (A) into a 115 volt GFCI power outlet.

WARNING: Do not let plug fall in water and do not stand in water while the pump (A) is plugged in.

The pump (A) will start operating when the power cord is plugged into the outlet.

Once the pump (A) has removed the water down to 1/4 in., unplug the pump. **CAUTION:** Failure to unplug it will result in the pump going into thermal overload.



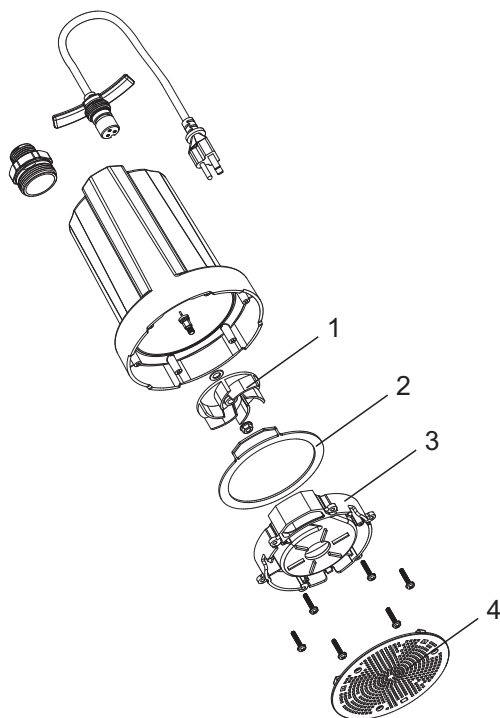
- **CAUTION:** Do not run the pump (A) dry. Operating the pump (A) without water will cause damage to seals and will cause the pump (A) to fail, thereby voiding the pump's warranty.
- Remove the pump (A) and hose from the location when finished pumping, as the hose still has water that can drain back through the pump. Remove remaining water with squeegee, mop, sponge, towel, wet/dry vac, etc.

TROUBLESHOOTING

Note: Do not disassemble the motor housing. This motor has NO repairable internal parts, and disassembling may cause an oil leak or dangerous electrical wiring issues.

Problem	Possible Cause	Corrective Action
Pump does not start or run	<ol style="list-style-type: none">1. Blown fuse2. Tripped breaker3. Plug disconnected4. Thermal overload5. Corroded plug6. Motor failed	<ol style="list-style-type: none">1. Replace fuse2. Reset breaker3. Secure plug4. Unplug the pump for 30 minutes, then plug in5. Clean plug prongs6. Call 1-888-757-4774
Pump cannot pump water out	<ol style="list-style-type: none">1. Screen blocked2. Hose kinked, bent sharply, or coiled3. Airlock4. Hose diameter too small5. Hose length too long6. Impeller loose on shaft7. Impeller broken	<ol style="list-style-type: none">1. Clean screen2. Straighten hose3. Clean airlock release feature4. Use larger diameter hose5. Use shorter hose6. Reassemble impeller7. Call 1-888-757-4774

PARTS DIAGRAM



PARTS LIST

Part No.	Description
1	impeller
2	sealing gasket
3	pump bsse
4	screen