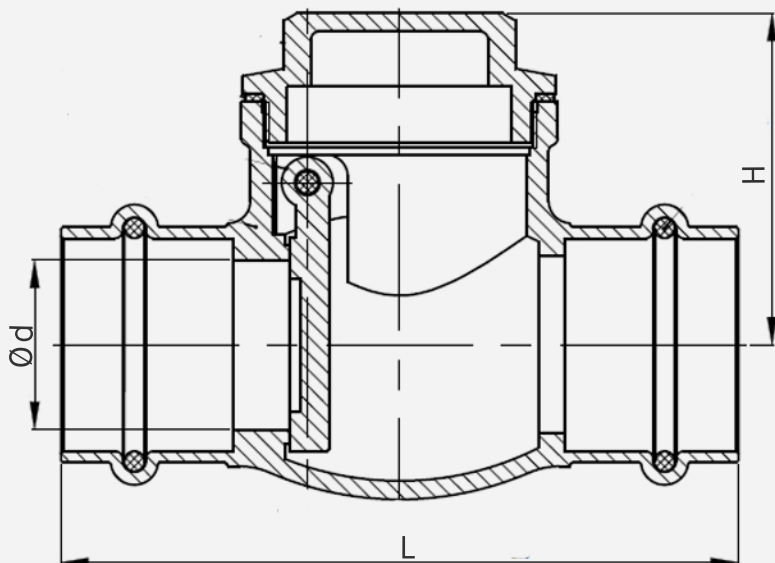


# Press Swing Check Valve

Lead Free

## FEATURES

- **One-piece Body Design** – yields better strength and leak resistance by eliminating potential weak points.
- **EPDM O-ring Seal** – Provides excellent resistance to heat, water, and steam.
- **Heavy Pattern Cast Brass Construction** – Offers increased durability and longevity.
- **Lead-Free Brass Material** – suitable for potable water applications.
- **Metal to Metal Disc Seal** – Delivers exceptional sealing capabilities, especially in high-temperature applications.
- **200 WOG** – Capable of handling water, oil, and gas applications up to 200 psi.
- **Max Temp: 248°** – Designed to operate at high temperatures.



Size	Ød	L	H
1/2"	.52"	2.83"	1.37"
3/4"	.71"	3.26"	1.55"
1"	.90"	3.62"	1.77"