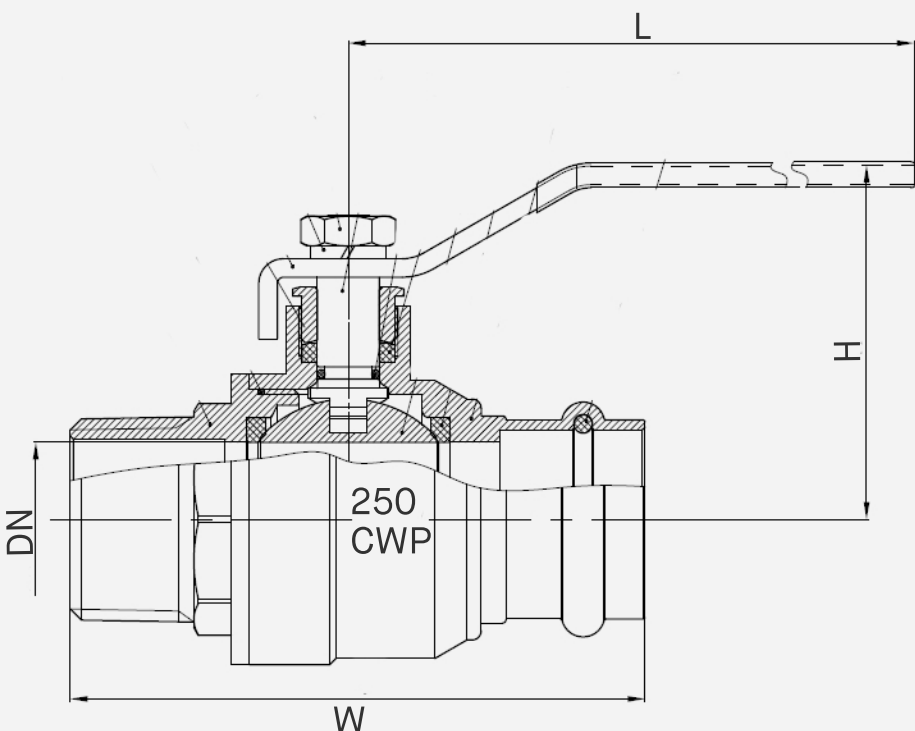


1" Press X 1" MIP Full Port Ball Valve

Lead Free

FEATURES

- **DZR Brass** – Makes the ball valve resistant to dezincification corrosion and safe to use in plumbing and drinking water systems
- **High Pressure Rating** – Able to withstand pressure up to 250 WOG (non-shock)
- **High Temperature Rating** – Able to withstand working temperatures up to 203°F
- **Lead Free** – Meets cUPC, NSF/ANSI 61, and NSF372/ANSI 372 standards for safe use in commercial and residential systems
- **Connection Type:** Press x MNPT



Size	DN	W	H	L
1"	.98"	3.7"	2.25"	4.29"